

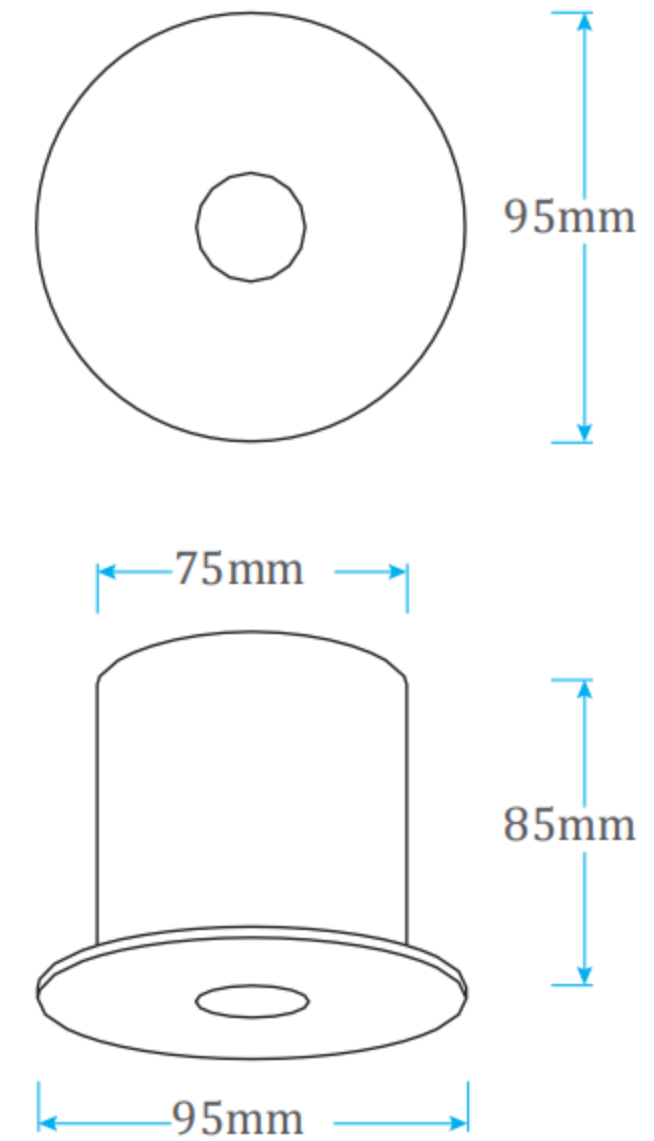


We Serve You Better



RECESS HIGH POWER LED EMERGENCY LIGHT

Model	: TRE 118 LED
Lamp Used	: 1 x 1.0 watt High Power LED
Input Voltage	: 240V ±10%, 50 Hz
Luminosity Output	: 44 lm
Mode of Operation	: Non-maintained
Rated Duration	: ≥ 3 Hours
Battery Type	: High Temp Sealed Nickel Cadmium (Ni-Cd)
Fitting Construction	: White Polycarbonate Housing
Battery Charger	: Solid State Electronic Automatic
Indicator	: Red LED 5mm Diameter
Testing Facility	: Micro Switch for Independent Testing
Operation Temperature	: 25°C
Weight	: 320g
Mounting	: Recess Mounting (80mm round hole)
Product Dimension	: Power Pack (Cylinder) - 85mm Height x 75mm : Disc - 95mm Diameter
Compliance	: MS 619 MS IEC 60598
Warranty	: 1 Year from the Date of Delivery



- ◆ Quality Assured by Full SIRIM Licence in Malaysia since 1992.
- ◆ Approved by Director General of Fire Service in Malaysia.
- ◆ Approved by Standard & Industrial Research Institute of Malaysia (SIRIM).
- ◆ Approved by Chief Electrical Inspector of Malaysia.
- ◆ Complies Fully with Uniform Building By-Law Regulations in Malaysia.



Note: Due to continuous development and improvement, our company reserve the right to change specification without notice