

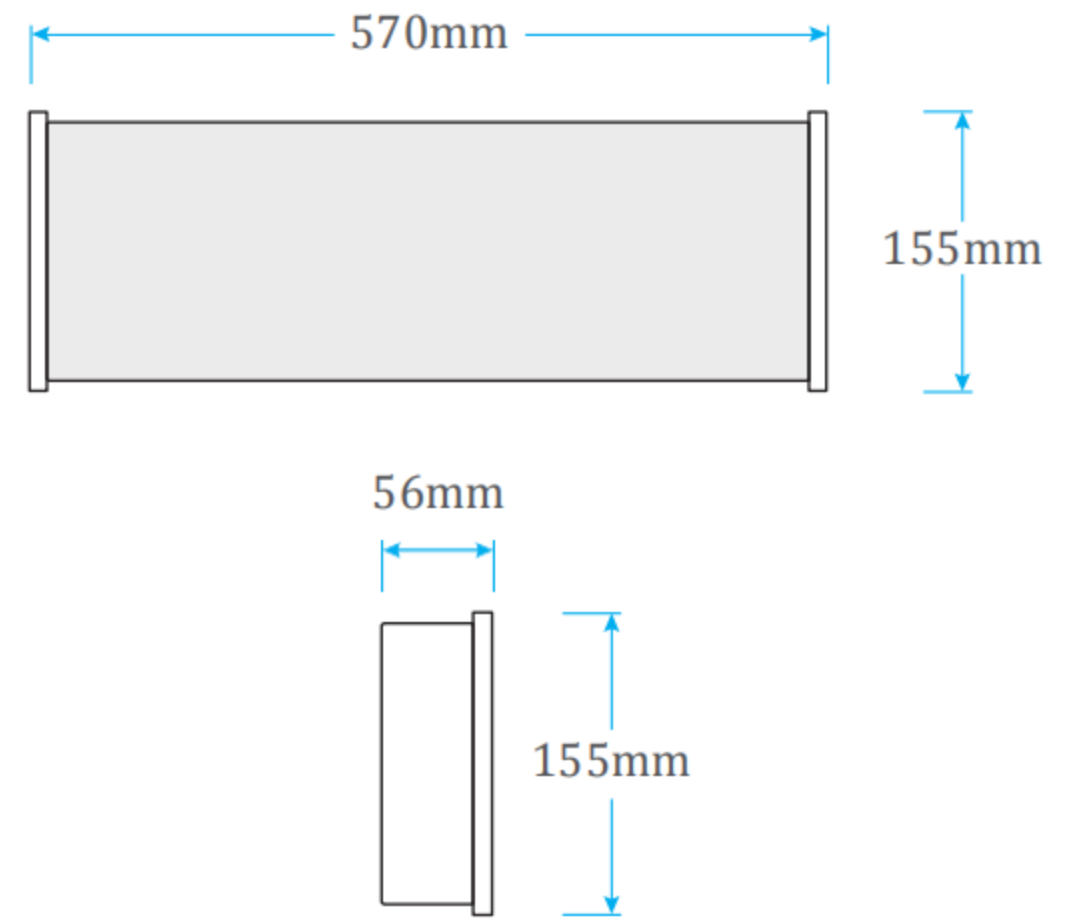


We Serve You Better



BOX UP KELUAR SIGN

Model	: TR408
Power Consumption	: <5CA
Lamp-Mains "On"	: 16 x 0.2W SMD LED
Lamp-Mains "Off"	: 16 x 0.2W SMD LED
Battery Type	: 3.6V 900mAh Ni-Cd battery
Weight	: 1.4 kg
Product Dimension	: L570mm x W155mm x H56mm
Input Voltage	: 240V ± 10%, 50 Hz
Rated Duration	: 3 hours
Mode of Operation	: Maintained
Charger	: Solid State Electronic Automatic
Charging Monitor	: Red LED 5mm diameter
Test Facility	: Independent testing
Operation Temperature	: 25°C
Safety Feature	: Low voltage cut-off to prevent over-discharge of the battery
Fitting Construction	: Metal casing finish in epoxy powder coating
Diffuser	: Acrylic diffuser
Mounting	: Wall mounting
Warranty	: 1 Year from the Date of Delivery
Compliance	: Malaysia Standards MS 619 MS 983 & MS IEC 60598 BOMBA Approved



- ♦ Quality Assured by Full SIRIM Licence in Malaysia since 1992.
- ♦ Approved by Director General of Fire Service in Malaysia.
- ♦ Approved by Standard & Industrial Research Institute of Malaysia (SIRIM).
- ♦ Approved by Chief Electrical Inspector of Malaysia.
- ♦ Complies Fully with Uniform Building By-Law Regulations in Malaysia.



Note: Due to continuous development and improvement, our company reserve the right to change specification without notice