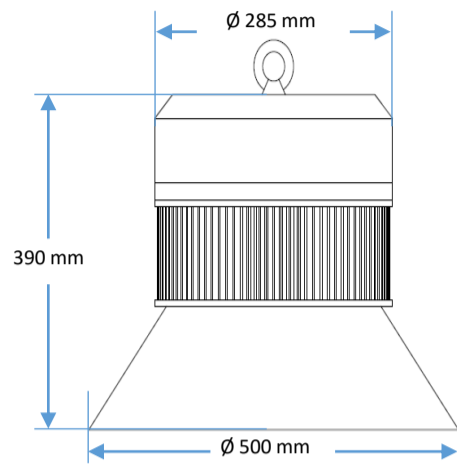


LED 200W SMD HIGH BAY LIGHT



Input voltage	: AC 240V
Power factor(SLP)	: 0.992
Power factor(HLP)	: 0.930
Operating temperature	: 20~50°C
Color Rendering Index	: >RA 80
IP Class	: IP 43
Materials	: Aluminium (Fin), Polycarbonate
Warranty(SLP)	: 5 years (T&C)
Warranty(HLP)	: 2 years
Dimension(mm)	: 500 X 390

Model	Wattage (W)	Luminous Flux (Lm)	System Efficiency (Lm/W)	Color Temperature (K)
SL-HBQS-200DN-PP-V	200	20804	104.02	2800K (Warm White) 4000K (Nature White)
HLP-HBQ-200DN-ZZ-V	200	19449.6	97.25	5700K ~ 6000K (Cool White)

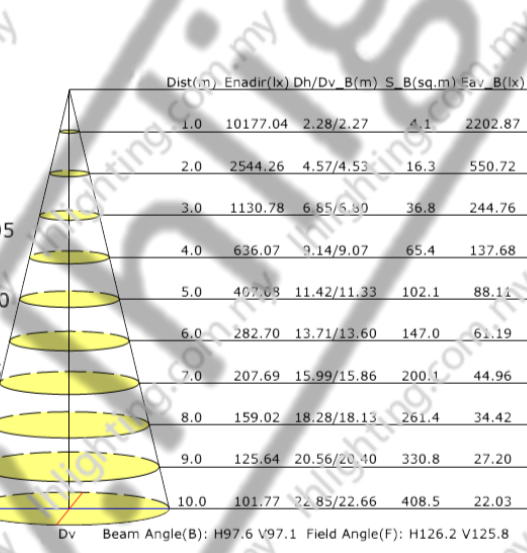
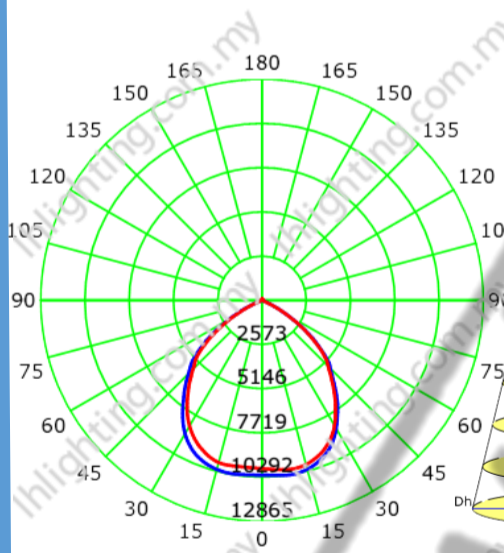
*V refers to color temperature. (w/w=3000K(warm white), n/w=4000K(natural white), and w=5700K(white).

PHOTOMETRIC DATA

SL-HBQS-200DN-PP-V

Luminous Intensity Distribution Curve

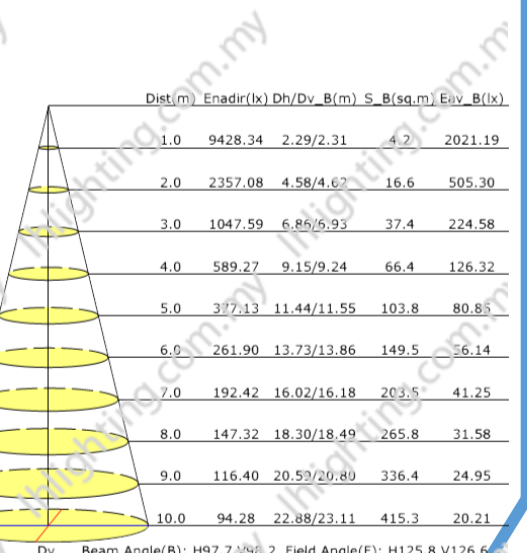
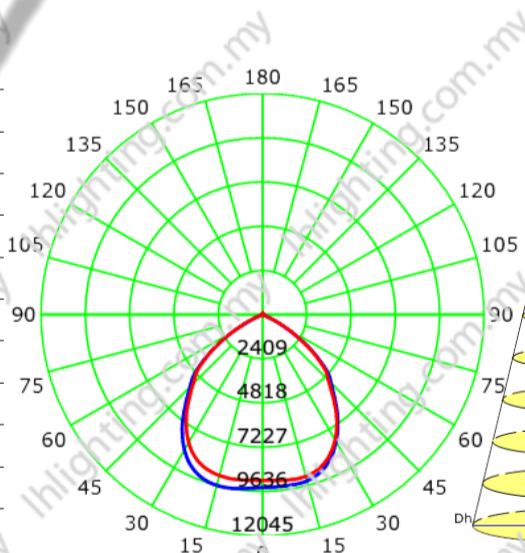
The Average Illuminance Effective Figure



HLP-HBQ-200DN-ZZ-V

Luminous Intensity Distribution Curve

The Average Illuminance Effective Figure



COMPLIANCE STANDARD

- LED : LM80
- Luminaire : LM79-08

LUMINAIRE TECHNICAL DATA

- Operating Temperature : 20 °C ~ 50°C
- Ingress Protection : IP 43

LED TECHNICAL DATA

- LED Light Source :
(SLP) Lumileds LUXEON 3030 2D
(HLP) SMD 5730 (LM80)
- Rendering index : > RA 80
- LED Life Cycle :
(SLP) 52,000 hours
(HLP) 36,000 hours

POWER SUPPLY

- Brand : (SLP) Philips Xitanium / (HLP) LH Lighting
- Power Factor : > 0.9
- Output Current : (SLP) 0.7 A / (HLP) 4.5 A
- Life Cycle :
(SLP) > 50,000 hours
(HLP) > 36,000 hours
- Certificate: EN61000 , EN61347-1 , EN 61347-2-13 , UL60950-1



LUXEON 3030 2D



Xitanium

LED Driver

APPLICATIONS

Warehouse, Auditorium (hall), Shopping Production Areas & Factories

* All LED components are subjected to LED manufacturer and warranty terms and conditions
* Specifications are subjected to change without prior notice