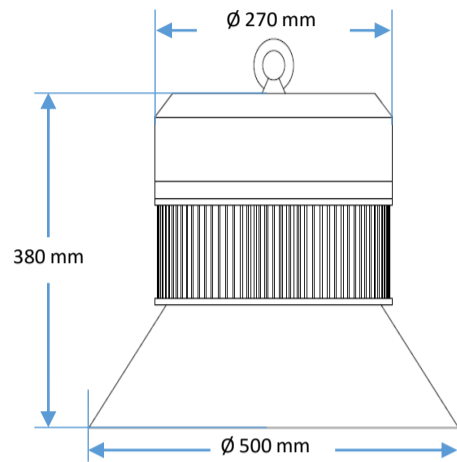


LED 150W SMD HIGH BAY LIGHT



Input voltage	: AC 240V
Power factor(SLP)	: 0.993
Power factor(HLP)	: 0.962
Operating temperature	: 20~50°C
Color Rendering Index	: >RA 80
IP Class	: IP 43
Materials	: Aluminium (Fin), Polycarbonate
Warranty(SLP)	: 5 years (T&C)
Warranty(HLP)	: 2 years
Dimension(mm)	: 500 X 380

Model	Wattage (W)	Luminous Flux (Lm)	System Efficiency (Lm/W)	Color Temperature (K)
SL-HBQS-150DN-PP-V	150	15537.8	103.59	2800K (Warm White) 4000K (Nature White)
HLP-HBQ-150DN-ZZ-V	150	14616.5	97.44	5700K ~ 6000K (Cool White)

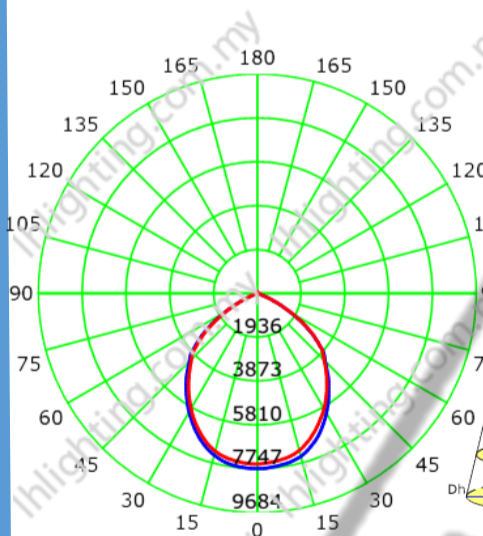
*V refers to color temperature. (w/w=3000K(warm white), n/w=4000K(natural white), and w=5700K(white).

PHOTOMETRIC DATA

SL-HBQS-150DN-PP-V

Luminous Intensity Distribution Curve

The Average Illuminance Effective Figure



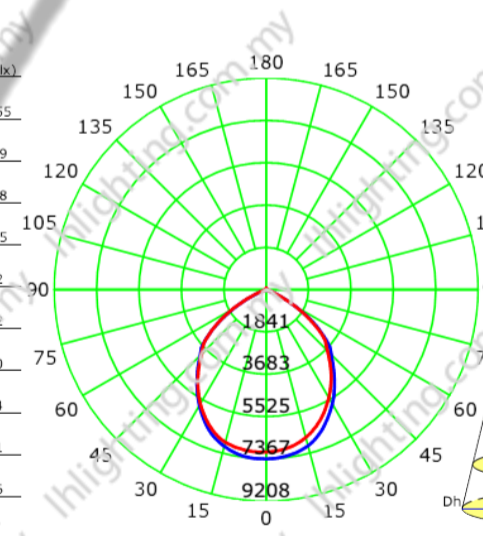
Dist(m)	Enadir(lx)	Dh/Dv	B(m)	S _B (sq.m)	E _{av} (lx)
1.0	7747.82	2.26/2.27	4.0	1685.55	
2.0	1936.95	4.52/4.55	16.1	421.39	
3.0	860.87	6.79/6.82	36.3	187.28	
4.0	484.24	9.03/9.09	64.5	105.35	
5.0	309.91	11.31/11.37	100.7	67.42	
6.0	215.22	13.57/13.64	145.1	46.82	
7.0	158.12	15.83/15.91	197.4	34.40	
8.0	121.06	18.10/18.19	257.9	26.34	
9.0	95.65	20.36/20.46	326.4	20.81	
10.0	77.48	22.62/22.73	402.9	16.86	

Beam Angle(B): H97.0 V97.3 Field Angle(F): H129.3 V129.6

HLP-HBQ-150DN-ZZ-V

Luminous Intensity Distribution Curve

The Average Illuminance Effective Figure



Dist(m)	Enadir(lx)	Dh/Dv	B(m)	S _B (sq.m)	E _{av} (lx)
1.0	7367.12	2.26/2.26	4.0	1586.51	
2.0	1841.78	4.52/4.52	16.1	396.63	
3.0	818.57	6.79/6.78	36.2	176.28	
4.0	460.45	9.03/9.04	64.3	99.16	
5.0	294.68	11.31/11.30	100.5	63.46	
6.0	204.64	13.57/13.56	144.8	44.07	
7.0	150.35	15.84/15.82	197.1	32.38	
8.0	115.11	18.10/18.08	257.4	24.79	
9.0	90.95	20.36/20.34	325.8	19.59	
10.0	73.67	22.62/22.61	402.2	15.87	

Beam Angle(B): H97.0 V97.0 Field Angle(F): H128.8 V129.6

COMPLIANCE STANDARD

- LED : LM80
- Luminaire : LM79-08

LUMINAIRE TECHNICAL DATA

- Operating Temperature : 20 °C ~ 50°C
- Ingress Protection : IP 43

LED TECHNICAL DATA

- LED Light Source :
(SLP) Lumileds LUXEON 3030 2D
(HLP) SMD 5730 (LM80)
- Rendering index : > RA 80
- LED Life Cycle :
(SLP) 52,000 hours
(HLP) 36,000 hours

POWER SUPPLY

- Brand : (SLP) Philips Xitanium / (HLP) LH Lighting
- Power Factor : > 0.9
- Output Current : (SLP) 0.7 A / (HLP) 4.5 A
- Life Cycle :
(SLP) > 50,000 hours
(HLP) > 36,000 hours
- Certificate: EN61000 , EN61347-1 , EN 61347-2-13 , UL60950-1



LUXEON 3030 2D



Xitanium

LED Driver

APPLICATIONS

Warehouse, Auditorium (hall), Shopping Production Areas & Factories

* All LED components are subjected to LED manufacturer and warranty terms and conditions
* Specifications are subjected to change without prior notice