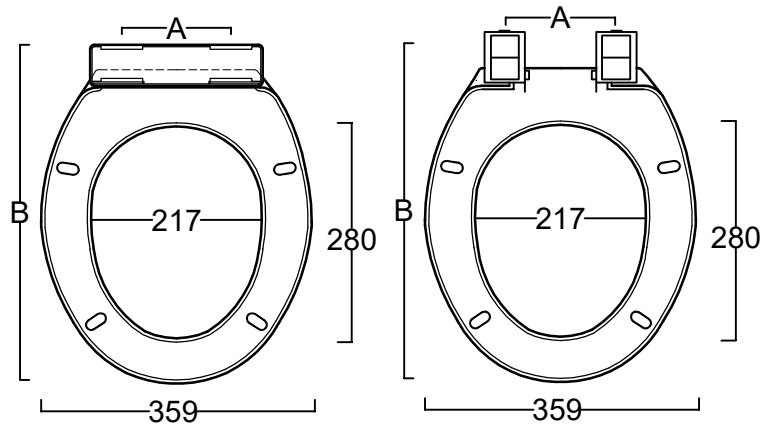


PRODUCT TECHNICAL DATA SHEET



		CODE	
	Non Soft Close	0	✓
	Soft Close	5	
	NSC Flap Hinge	1	✓
	2P Hinge	2	✓
	SUS Hinge	3	
	SUS Hinge	4	
	S Hinge	6	
	Flap Hinge	7	
	Slide Hinge	9	
	E Hinge	E	
	Bottom Mount Screw	0	✓
	Top Mount Screw -With Nylon Plug	6	
	Top Mount Screw -With Rubber Plug	9	
	Top Mount Screw -Full Stainless Steel	8	

	NSC Flap Hinge		2P Hinge
A	125-185	A	135-180
B	410-430	B	415-445

Part Name		Rev No.	Date	Weight
TOILET SEAT COVER		1	23-10-2020	880g
		Part No. Dwg No.		
WSC2XXX				1/1
Designed By	Checked By	Approved By	 WESERHOCH SDN BHD	
SALWA	MANOJ	KW WOON		

Note:
 DIMENSIONAL TOLERANCE ±2mm
 WEIGHT TOLERANCE ±5%
 Manufacturer may change product dimensions without prior notice.
 For confirmation, please refer to Weserhoch Sdn bhd