

LIFTING CARTS

The programme for lifting, transporting and storage •
From the classical forklift trolley to the machine lifter,
from furniture dollies to a chassis with 24 tons load capacity •
Valuable assistants offering every transport solution



6815 | 6856 | 6836



2117



2114



2115



2116



2119



Handle
Rubber coated.



Tandem rollers
Two adjustable rollers housed in each fork. Advantageous for uneven surfaces and when going over edges and bumps. Locating wheels at fork tips.

Pallet trucks

Frames and forks of steel construction, finished powder coated distinct yellow. Hand hydraulic pump with maintenance-free bearing. Strong steel handle with counter bearing for pushing operation. Powder coated black; operating lever for: lifting, moving, lowering. Steering lock 2 x 100° Fork length 1150 mm Fork width 160 mm Loading width 540 mm Lifting range 85-200 mm Overall length 1540 mm Steering wheels 200 x 50 mm Fork rollers 80 x 70 mm Locating wheels at fork tips.

2114

Handle powder coated. Loading width: 540 mm Fork rollers Ø x W = 80 x 93 mm

Wheels 2114

Steering wheels polyurethane, fork rollers polyurethane single. Low rolling resistance, non-marking.

Wheels 2115

Steering nylon, fork rollers tandem nylon. Very little rolling resistance. High chemical resistance, non-marking. Good on even, smooth surfaces. Hard road noise.

Wheels 2116

Steering elastic-solid rubber wheels, nylon tandem rollers. Low rolling resistance. Easy movement. Good on level and uneven surfaces or when negotiating edges and bumps. Low road noise.

Wheels 2117

Steering wheels polyurethane. Fork rollers tandem polyurethane. Low rolling resistance. Easy movement. Good on sensitive surfaces. Non-marking. Low road noise.

Wheels 2119

Steering wheels with elastic solid rubber tyres. Fork rollers tandem polyurethane. Low rolling resistance. Easy movement. Comfortable to operate. Good on sensitive and uneven surfaces. Advantageous when frequently going over edges and bumps. Low road noise.

Warranty

for pallet trucks 2 years.

	Oder no.	Capacity kg	Lifting range mm	Fork length mm	Steered wheels	Fork rollers	Net weight kg
Pallet trucks	2114	2000	85 - 200	1150	Polyurethane	Polyurethane single	60
	2115	2500	85 - 200	1150	Nylon	Nylon Tandem	73
	2116	2500	85 - 200	1150	Solid rubber	Nylon Tandem	75
	2117	2500	85 - 200	1150	Polyurethane	Polyurethane Tandem	76
	2119	2500	85 - 200	1150	Solid rubber	Polyurethane Tandem	76

Blue marked item numbers = quick delivery (for details see page 4)



PALLET TRUCKS



Pallet trucks

Frames and forks of steel construction, finished powder coated distinct yellow. Hand hydraulic pump with maintenance-free bearing. Strong steel handle with counter bearing for pushing operation. Powder coated black; operating lever for: lifting, moving, lowering.

2118

Short type
Fork length 800 mm
Total length 1190 mm
extremely space saving and suitable for HGVs.

2120

Low type
Lowered height 55 mm
Lifting range 55-175 mm, suitable for underclearances from 57 mm.
Steered wheels:
Ø x W = 200 x 50 mm
Fork rollers:
Ø x W = 51 x 70 mm

2116-15 | 2116-18 | 2116-20

Extra long model.
Fork lengths 1500, 1800 or 2000 mm. Steering wheels 200 x 50 mm solid rubber tyres. Fork rollers 80 x 70 mm nylon tandem. Reduced lifting capacity.

2122 with scale

Pallet truck with scale, weighing range of 1- 2000 kg, with a weighing accuracy of ± 2 kg. Graduation: 1 kg. LCD-display with 18 mm high figures, touch-panel with on-/off- and tare weight button. Power supply by 4 x 1,5-V-AA-batteries, protection class IP 65. Steering wheels Ø x W = 180 x 50 mm
Fork rollers Ø x W = 70 x 70 mm
Loading width 550 mm



2118



2120



2116-15 | 2116-18 | 2116-20



2122



Pallet truck with scale

	Order no.	Capacity kg	Lifting range mm	Fork length mm	Total length mm	Steered wheels	Fork rollers	Net weight kg
Pallet trucks	2118	2500	85 - 200	800	1190	Solid rubbers	Nylon Single	66
	2120	2000	55 - 175	1150	1540	Solid rubbers	Nylon Tandem	72
	2116-15	1500	85 - 200	1500	1890	Solid rubbers	Nylon Tandem	97
	2116-18	1200	85 - 200	1800	2190	Solid rubbers	Nylon Tandem	100
	2116-20	1000	85 - 200	2000	2390	Solid rubbers	Nylon Tandem	112
	2122	2000	85 - 205	1150	1550	Polyurethane	Polyurethane Tandem	117

Warranty
for pallet trucks 2 years.



6815

High lift pallet truck 6815

Frame and forks made in non-buckling shell-type construction, powder coated, signal yellow. Hydraulic hand pump, service-free bearing. Sturdy tubular steel drawbar with counter bearing for shove operation, powder coated, black, rubber covered handle. Operating lever for the following functions:

- Lifting - moving - lowering
 - Steering lock: 2 x 100°
 - Carrying capacity: 1000 kg
 - Fork length: 1165 mm
 - Fork width: 160 mm
 - Carrying width: 540 mm
 - Lifting range: 85-800 mm
 - Total length: 1540 mm
 - Steered wheels: Ø x W = 180 x 50 mm
 - Fork rollers: Ø x W = 80 x 50 mm
 - Climbing rolls at fork tips.
- High lift pallet truck is no longer movable from pumping height of 290 mm.



6820

Skid lifter 6820

Excellent stability under load and travelling even with lifted load. Frame and forks made in sectional steel construction, powder coated anthracite RAL 7016. Sturdy tubular push handle. Hydraulic pump with chromium-plated piston and overload valve. Operated via pedal control. Lowering valve to be operated via hand lever. 2 castor wheels with polyurethane tyres 150 x 40 mm and 2 fork rollers nylon 70 x 65 mm, castor wheels with lock.

- Carrying capacity: 500 and 1000 kg
- Fork length: 1115 mm
- Fork width: 153 mm
- Carrying width: 526 mm
- Lifting range: 85 - 830 mm
- Total length: 1550/1640 mm
- Total width: 526/687 mm



6821

Skid lifter 6821

Construction as above, but additionally with equipped with a steering shaft.

Attachable platform for skid lifter 6820 and 6821



Attachable platform

Made of edged steel plate powder coated anthracite RAL 7016, suitable for 6820 and 6821.

Measures (L x W): 1115 x 538 mm

Warranty

for high lift pallet truck and skid lifter 2 years.

	Order no.	Capacity kg	Lifting range mm	Fork length mm	Steered wheels	Fork rollers	Net weight kg
High lift pallet truck	6815	1000	85 – 800	1165	Polyurethane	Polyurethane	110
Skid lifter	6820	500	85 – 830	1115	Polyurethane	Nylon	107
	6821	1000	85 – 830	1115	Polyurethane	Nylon	135
Attachable platform	6828	-	-	-	-	-	15



Stackers

For the occasional use as lifting and transport appliance. Sturdy sectional steel construction with tubular push handles, powder coated anthracite grey RAL 7016.

Hand winch stacker

6851 | 6852

Lifting by means of safety hand winch. Forks adjustable.

2 castor wheels, wheels with polyurethane tyres 150 x 40 mm and 2 fork rollers nylon 80 x 47 mm. Castor wheels with lock.

Load center distance:

400/500 mm

Fork width 6851: 75 mm

Fork width 6852: 85 mm

Stroke per crank turning:

40/22 mm



6851 | 6852

Hydraulic hand stackers

6855 | 6856

Hydraulic pump with chromium-plated piston and overload valve. Operated via drawing shaft.

Lowering valve precisely adjustable via hand lever.

2 castor wheels, wheels with polyurethane tyres 150 x 40 mm and 2 fork rollers polyurethane 80 x 70 mm. Castor wheels with lock.

Load center distance: 585 mm

Fork width: 160 mm

Stroke per shaft operation:

20/12.5 mm



6855 | 6856

Warranty

for stackers 2 years.

	Order no.	Capacity kg	Lifting range mm	Total height mm	Fork length mm	Carrying width mm	Total length mm	Total width mm	Net weight kg
Hand winch stacker	6851	250	90 – 1560	2030	800	150 – 690	1350	725	140
	6852	500	90 – 1560	2030	1000	150 – 690	1550	725	146
Hydraulic hand stacker	6855	500	88 – 1500	2010	1150	540	1600	794	210
	6856	1000	88 – 1500	2010	1150	540	1600	794	220

Lifting table carts

Sectional steel/steel plate construction, powder coated anthracite grey RAL 7016. Sturdy tubular push handle. Hydraulic pump with chromium-plated piston. Operation via pedal control. Lowering valve precisely adjustable via hand lever. Platform 50 mm high. 2 castor and 2 fixed wheels, wheels with polyurethane tyres, castor wheels with lock.

6831

Tilttable tubular push handle.

6832

Tubular push handle fixed with screws.

6833 | 6834 | 6835

Tubular push handle fixed with screws.

6836 | 6837

Double shears for enlarged lifting range. Tubular push handle fixed with screws.

Accessories

For platform size 1010 x 520 mm: (6833/6834/6835/6836/6837)

Roller conveyor 6890

Sectional steel frame with holding angles and 2 upward tilting stops, powder coated anthracite RAL 7016. 9 steel rolls (Ø 57 mm and length 430 mm) with roller bearings.

Distance between axles 112,5 mm, height 64 mm, carrying capacity 500 kg – rigid –

Roller conveyor 6891

Can be fixed to platform with clamped joint, swivelling by 360°, arrestable. 6 steel rolls (Ø 57 mm and length 430 mm) with roller bearings.

Distance between axles: 110 mm
Height: 92 mm
Carrying capacity 500 kg – swivelling –

Warranty

for lifting table carts 2 years.



Roller conveyor with attachable frame.



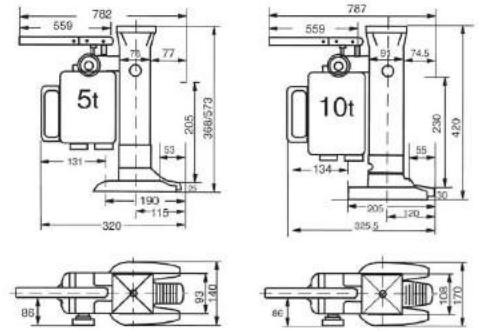
Roller conveyor with live ring.

	Order no.	Capacity kg	Lifting range mm	Platform L x W mm	Outside dimensions L x W mm	Wheel-Ø mm	Net weight kg
Lifting table carts	6831	150	265 – 755	700 x 450	930 x 450	100	41
	6832	250	330 – 910	830 x 500	1020 x 500	125	78
	6833	500	435 – 1000	1010 x 520	1275 x 520	150	118
	6834	750	442 – 1000	1010 x 520	1275 x 520	150	120
	6835	1000	445 – 950	1010 x 520	1275 x 520	150	137
	6836	300	435 – 1585	1010 x 520	1275 x 520	150	150
	6837	500	440 – 1575	1010 x 520	1275 x 520	150	168
Roller conveyor with attachable frame	6890	500	-	-	-	-	31
Roller conveyor with live ring	6891	500	-	-	-	-	51



Machine lifter
6931/6932

Hydraulic, for lifting of machines and other heavy loads. Easy lifting with lifting claw and end plate by means of installed hydraulic hand pump. Precise lowering via lowering valve, overload valve. Pump lever detachable. Swivelling of housing by 360°, variable range of application. Sturdy compact steel construction, coating blue RAL 5007.



6931 | 6932

Transport roller
6943 | 6944 | 6945

For the easy and safe transport of heavy goods such as containers, boxes, machines etc. Sturdy welded steel construction with handles made of round or tubular steel, powder coated blue RAL 5007. Carrying platforms with anti-slip rubber cover. Big nylon rolls with roller bearings. High carrying capacity combined with low net weight.



6943



6944



6945

	Order no.	Carrying capacity to	Lifting range at lifting claw mm	Lifting range at end plate mm	Net weight kg
Machine lifters	6931	5	25 – 230	368 – 573	25
	6932	10	30 – 260	420 – 650	35

	Order no.	Carrying capacity kg	Carrying platform L x W mm	Outside dimensions L x W x H mm	Axles	Rolls	Size of rolls Ø x W mm	Net weight kg
Transport rollers	6943	2500	210 x 100	275 x 120 x 100	2	2	85 x 90	4
	6944	3000	330 x 220	400 x 228 x 100	2	4	85 x 85	9,5
	6945	6000	260 x 200	415 x 210 x 100	3	6	85 x 85	12

Warranty
for machine lifters and transport rollers 2 years.

Moving gear, adjustable
6951 | 6952

for the easy and safe transport of machines and other heavy goods.

Sturdy welded steel construction with handles made of round steel, powder coated blue RAL 5007. Carrying platforms with anti-slip rubber cover. Big nylon rolls with roller bearings.

6953

As 6951/6952, but with a traction eye at the shaft.

Adjustable range:

6951 = 500–1190 mm

6952 = 700–1190 mm

6953 = 850–1190 mm

Scope of delivery:

2 transport rollers and

2 connecting rods made of round steel.

Moving gear, steerable
6956 | 6957 | 6958

as adjustable moving gear, but with additional swivelling carrying platform and drawing shaft.

6957

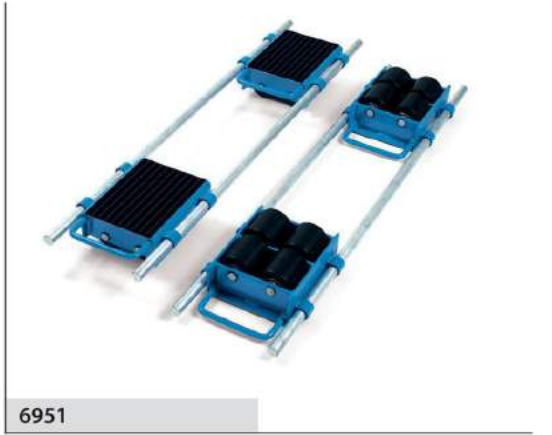
With a traction eye at the shaft.

6958

With a traction eye at the shaft. Big steel wheels with ball bearings.

Scope of delivery:

1 transport roller with swivelling platform and drawing shaft.



	Order no.	Capacity to	Carrying platform L x W mm	Outside dimensions L x W x H mm	Axles	Rolls	Size of rolls Ø x W mm	Net weight kg
Moving gears, adjustable	6951	6	250 x 200	320 x 268 x 110	4	8	85 x 90	30
	6952	12	350 x 200	420 x 268 x 110	4	12	85 x 90	38
	6953	24	425 x 220	495 x 288 x 110	4	16	83 x 85	88
Moving gears, steerable	6956	3	185 x 150	300 x 200 x 104	2	4	85 x 90	15
	6957	6	400 x 220	640 x 534 x 115	2	8	85 x 90	50
	6958	12	400 x 220	640 x 566 x 115	2	8	83 x 85	66

Warranty
for moving gears 2 years.



DOLLIES | LIFTING ROLLERS FOR FURNITURE



Dollies for furniture

2350 | 2352

With platform made of beech plywood, with non-slip coating. 4 swivel castors with polyamide wheels 100 mm Ø.

VE = packing unit = 2 pieces



2350 | 2352



2351 | 2353

2351 | 2353

As 2350 | 2352, but with 4 swivel castors, wheels with solid rubber tyres 100 mm Ø.

VE = packing unit = 2 pieces

2358

Dollies for furniture with platform made of plywood, with non-slip coating. 4 swivel castors, wheels with solid rubber tyres 125 mm Ø, blue-grey "trackless".



2358



2359

2359

Dollies for furniture with platform made of plywood, non-slip. 4 swivel castors with polyamide wheels 125 mm Ø.

Furniture lifting rollers

6980

Manual crank for one man transport of cupboards, lockers etc.

Steel tubular construction, powder coated blue RAL 5007. Winch with manual crank arm. Crank protected by a C-profile. Adjustable supports with protective covering. Loading surface with anti-slip covering, lowered 10 mm high.

Two steering wheels with non-marking polyurethane tyres and non-tracking elasticated solid rubber tyres, hub with roller bearings. One fixed 5 m long strap.

Delivered in pairs.



6980



Function



	Order no.	Capacity kg	Length mm	Width mm	Height mm	Polyamide tyres mm	Solid rubber tyres mm	Net weight kg per piece
Dollies for furniture	2350	350	600	300	140	100 x 30	-	4,5
	2351	250	600	300	140	-	100 x 38	5
	2352	500	600	350	140	100 x 30	-	5,5
	2353	300	600	350	140	-	100 x 38	6
	2358	500	800	600	175	-	125 x 38	10
	2359	600	800	600	175	125 x 40	-	10
	Order no.	Capacity per set kg	Stroke mm	Outside dimensions L x W x H mm	Platform W x D mm	Wheel size Ø x W mm	Net weight per set kg	
Furniture lifting rollers	6980	600	300	600 x 390 x 800	300 x 110	160 x 50	45	



LIFTING ROLLS | ANGLE ROLLS



Function

6971



6977



Function

Lifting rolls 6971

For the transport of heavy cupboards etc., steel plate frame galvanic bright galvanize. Contact area with rubber cover, wheel with polyurethane tyres.

Outside dimensions

L x W x H:

170 x 126 x 272 mm

Claw L x W: 170 x 44 mm

Claw height:

lowered = 12 mm

lifted max. = 50 mm

Scope of delivery:

2 lifting rolls and 1 lever rod

Handling:

Lift load with lever rod, place claw of the lifting roll underneath the load and finally lift load completely by shifting the control lever by means of the lever rod. Proceed exactly in the same way on the opposite side with the second lifting roll and the load can be moved.

Angle rolls 6977

For moving furniture or other box-shaped objects. Low loading height, safe transport.

Welded steel plate housing, powder coated anthracite RAL 7016. Loading platform with non-slip covering. 3 TPE castors 50 x 18 mm, hubs with precision deep groove ball bearing

Width: 361 mm

Depth: 177 mm

Height: 87 mm

Loading height: 16 mm

Scope of delivery: 1 set =

4 pieces (in a robust box)

	Order no.	Capacity per pc. kg	Capacity per pair kg	Wheel size Ø x W mm	Net weight 4 pcs. kg	Net weight per pair kg
Lifting rolls	6971	-	1000	138 x 28	-	10
Angle rolls	6977	150	-	50 x 18	8	-



WHEELS | SWIVEL AND FIXED-WHEEL CASTORS



Wheels with solid rubber tyres 70205-71230

Wheels with black solid rubber tyres, wheel rims of steel sheet or plastic, hubs with roller bearings.



70205 | 70208 | 70211 | 70217 | 71221 | 71230

Wheels with pneumatic tyres 70102-71130

Wheels with black pneumatic tyres, wheel rims of steel sheet or plastic, hubs with roller bearings. 71330 with ball bearing.



70102 | 70111 | 70116 | 71120 | 71121 | 71130

PU tyres 70603-71621

Made of polyurethane material on plastic or steel sheet wheel rim. Punctureproof. Driving comfort similar to pneumatic wheels.



70603 | 70611 | 70612 | 70613 | 70620 | 70621



71505 | 71515 | 71525

Swivel and fixed-wheel castors 71505-71525

Casings made of steel sheet, wheels with black pneumatic tyres, wheel rims of steel sheet, hubs with roller bearings.

	Order no.	Wheel- Ø x W mm	Wheel rim	Bearing	Length of hub mm	Ø of bore mm	Capacity kg
Wheels with solid rubber tyres	70205	200 x 50	steel sheet red	roller bearing	60 displaced	20	205
	70208	250 x 60	plastic red	roller bearing	75	20	250
	70211	250 x 60	steel sheet red	roller bearing	60 displaced	20	250
	70213	250 x 60	steel sheet red	roller bearing	75 displaced	25	295
	70207	250 x 60	plastic red	roller bearing	75 displaced	25	250
	70217	260 x 56	plastic red	roller bearing	75 displaced	25	300
	71221	400 x 80	steel sheet red	roller bearing	75	25	350
	71230	400 x 80	steel sheet galvanized	roller bearing	94	30	450

	Order no.	Wheel- Ø x W mm	Profile	Wheel rim	Bearing	Length of hub mm	Ø of bore mm	Capacity kg
Wheels with pneumatic tyres	70103	260 x 85	zig-zag 2 PR	plastic	roller bearing	75	20	200
	70111	260 x 85	zig-zag 2 PR	steel sheet	roller bearing	60 displaced	20	200
	70102	260 x 85	zig-zag 2 PR	plastic	roller bearing	75 displaced	25	200
	70113	260 x 85	zig-zag 2 PR	steel sheet	roller bearing	75 displaced	25	200
	70116	300 x 100	zig-zag 4 PR	steel sheet	roller bearing	75 displaced	25	220
	71120	400 x 100	ribbed 2 PR	steel sheet	roller bearing	75	25	250
	71121	400 x 100	zig-zag 4 PR	steel sheet	roller bearing	75	25	350
	71130	420 x 115	zig-zag 6 PR	steel sheet	ball bearing	100	30	550
PU tyres (Polyurethane)	70603	260 x 85	PU zig-zag	plastic	roller bearing	75	20	150
	70611	260 x 85	PU zig-zag	steel sheet	roller bearing	60 displaced	20	150
	70612	260 x 85	PU zig-zag	steel sheet	roller bearing	75 displaced	20	150
	70613	260 x 85	PU zig-zag	steel sheet	roller bearing	75 displaced	25	150
	71620	400 x 100	PU ribbed	steel sheet	roller bearing	75	25	250
	71621	400 x 100	PU zig-zag	steel sheet	roller bearing	75	25	250

	Order no.	Size of wheel mm	Effective height mm	Plate size mm	Hole centres mm	Bolt hole mm Ø	Capacity kg
Swivel castor	71505	220 x 70	250	135 x 110	105 x 75/80	11	150
Swivel castor with lock	71515	220 x 70	250	135 x 110	105 x 75/80	11	150
Fixed-wheel castor	71525	220 x 70	250	135 x 110	105 x 75/80	11	150



SWIVEL AND FIXED-WHEEL CASTORS



Swivel castors

71602 | 71603 | 71604

Casings made of steel sheet, galvanized. Wheels with TPE tyres (thermoplastic elastomer). Plastic rims and thread protection. Very low starting, rolling and swivelling resistance. Wheels non-marking (trackless).

Swivel castors with wheel locks "Double stop"

71612 | 71613 | 71614

Casings made of steel sheet, galvanized. Wheels like swivel castors.

Fixed-wheel castors

71622 | 71623 | 71624

Casings made of steel sheet, galvanized. Wheels like swivel castors.

TPE-ESD- swivel castors

71452 | 71453 | 71454

Wheels electrically conductive (anti-static) with TPE ESD tyres (thermoplastic elastomer).

Hubs with precision deep groove ball bearing

TPE-ESD-swivel castors with wheel locks "Double stop"

71462 | 71463 | 71464

Casings made of steel sheet, galvanized. Wheels like swivel castors.

TPE-ESD-fixed-wheel castors

71472 | 71473 | 71474

Casings made of steel sheet, galvanized. Wheels like swivel castors.

(ESD= Electrostatic Discharge)



	Order no.	Size of wheel mm	Effective height mm	Plate size mm	Hole centres mm	Bolt hole mm Ø	Capacity kg
Swivel castors TPE	71602	125 x 32	165	105 x 80	80/76 x 60	9	135
	71603	160 x 40	196	135 x 110	105 x 75/80	11	200
	71604	200 x 40	237	135 x 110	105 x 75/80	11	250
Swivel castors with locks TPE	71612	125 x 32	165	105 x 80	80/76 x 60	9	135
	71613	160 x 40	196	135 x 110	105 x 75/80	11	200
	71614	200 x 40	237	135 x 110	105 x 75/80	11	250
Fixed-wheel castors TPE	71622	125 x 32	165	105 x 80	80/76 x 60	9	135
	71623	160 x 40	196	135 x 110	105 x 75/80	11	200
	71624	200 x 40	237	135 x 110	105 x 75/80	11	250

	Order no.	Size of wheel mm	Effective height mm	Plate size mm	Hole centres mm	Bolt hole mm Ø	Capacity kg
Swivel castors TPE-ESD	71452	125 x 32	165	105 x 80	80/76 x 60	9	135
	71453	160 x 40	196	135 x 110	105 x 75/80	11	200
	71454	200 x 40	237	135 x 110	105 x 75/80	11	250
Swivel castors with locks TPE-ESD	71462	125 x 32	165	105 x 80	80/76 x 60	9	135
	71463	160 x 40	196	135 x 110	105 x 75/80	11	200
	71464	200 x 40	237	135 x 110	105 x 75/80	11	250
Fixed-wheel castors TPE-ESD	71472	125 x 32	165	105 x 80	80/76 x 60	9	135
	71473	160 x 40	196	135 x 110	105 x 75/80	11	200
	71474	200 x 40	237	135 x 110	105 x 75/80	11	250



SWIVEL AND FIXED-WHEEL CASTORS



Swivel castors

71102 | 71103 | 71104

Casings made of steel sheet, galvanized. Wheels with blue-grey solid rubber tyres, non-marking (trackless), plastic rims, hubs with roller bearings.



71102 | 71103 | 71104



71252 | 71253 | 71254

Swivel castors with wheel locks „Double stop“

71112 | 71113 | 71114

Casings made of steel sheet, galvanized. Wheels like swivel castors.



71112 | 71113 | 71114



71262 | 71263 | 71264

Fixed-wheel castors

71122 | 71123 | 71124

Casings made of steel sheet, galvanized. Wheels like swivel castors.

71122 | 71123 | 71124

Swivel castors

71252 | 71253 | 71254

Casings made of steel sheet, galvanized. Wheels with elastic tyres, blue-grey, non-marking (trackless). Alu-rims, hubs with ball bearings. Smooth, silent running, long durability.



71122 | 71123 | 71124



71272 | 71273 | 71274

Swivel castors with wheel locks „Double stop“

71262 | 71263 | 71264

Casings made of steel sheet, galvanized. Wheels like swivel castors.

Fixed-wheel castors

71272 | 71273 | 71274

Casings made of steel sheet, galvanized. Wheels like swivel castors.

	Order no.	Size of wheel mm	Effective height mm	Plate size mm	Hole centres mm	Bolt hole mm Ø	Capacity kg
Swivel castors Solid rubber blue-grey	71102	125 x 38	165	105 x 80	80/76 x 60	9	100
	71103	160 x 40	196	135 x 110	105 x 75/80	11	135
	71104	200 x 50	237	135 x 110	105 x 75/80	11	205
Swivel castors with locks Solid rubber blue-grey	71112	125 x 38	165	105 x 80	80/76 x 60	9	100
	71113	160 x 40	196	135 x 110	105 x 75/80	11	135
	71114	200 x 50	237	135 x 110	105 x 75/80	11	205
Fixed-wheel castors Solid rubber blue-grey	71122	125 x 38	165	105 x 80	80/76 x 60	9	100
	71123	160 x 40	196	135 x 110	105 x 75/80	11	135
	71124	200 x 50	237	135 x 110	105 x 75/80	11	205

	Order no.	Size of wheel mm	Effective height mm	Plate size mm	Hole centres mm	Bolt hole mm Ø	Capacity kg
Swivel castors Elastic solid rubber blue-grey	71252	125 x 40	165	105 x 80	80/76 x 60	9	200
	71253	160 x 50	196	135 x 110	105 x 75/80	11	300
	71254	200 x 50	237	135 x 110	105 x 75/80	11	350
Swivel castors with locks Elastic solid rubber blue-grey	71262	125 x 40	165	105 x 80	80/76 x 60	9	200
	71263	160 x 50	196	135 x 110	105 x 75/80	11	300
	71264	200 x 50	237	135 x 110	105 x 75/80	11	350
Fixed-wheel castors Elastic solid rubber blue-grey	71272	125 x 40	165	105 x 80	80/76 x 60	9	200
	71273	160 x 50	196	135 x 110	105 x 75/80	11	300
	71274	200 x 50	237	135 x 110	105 x 75/80	11	350



SWIVEL AND FIXED-WHEEL CASTORS



71302 | 71303 | 71304



71502 | 71503 | 71504

Swivel castors

71302 | 71303 | 71304

Casings made of steel sheet, galvanized. Wheels with polyurethane tyres, alu-rims, hubs with roller bearings. Smooth, silent running, resisting to many aggressive media, long durability.

Swivel castors with wheel locks "Double stop"

71312 | 71313 | 71314

Casings made of steel sheet, galvanized. Wheels like swivel castors.

Fixed-wheel castors

71322 | 71323 | 71324

Casings made of steel sheet, galvanized. Wheels like swivel castors



71312 | 71313 | 71314



71512 | 71513 | 71514

Swivel castors

71502 | 71503 | 71504

Casings made of steel sheet, galvanized. Polyamide wheels, hubs with roller bearings. Largely resisting to humidity, salt, acids and caustic solutions. Heat-resistant from -40° to +90° C.

Swivel castors with wheel locks "Double stop"

71512 | 71513 | 71514

Casings made of steel sheet, galvanized. Wheels like swivel castors.



71322 | 71323 | 71324



71522 | 71523 | 71524

	Order no.	Size of wheel mm	Effective height mm	Plate size mm	Hole centres mm	Bolt hole mm Ø	Capacity kg
Swivel castors Polyurethane	71302	125 x 40	165	105 x 80	80/76 x 60	9	200
	71303	160 x 50	196	135 x 110	105 x 75/80	11	350
	71304	200 x 50	237	135 x 110	105 x 75/80	11	350
Swivel castors with locks Polyurethane	71312	125 x 40	165	105 x 80	80/76 x 60	9	200
	71313	160 x 50	196	135 x 110	105 x 75/80	11	350
	71314	200 x 50	237	135 x 110	105 x 75/80	11	350
Fixed-wheel castors Polyurethane	71322	125 x 40	165	105 x 80	80/76 x 60	9	200
	71323	160 x 50	196	135 x 110	105 x 75/80	11	350
	71324	200 x 50	237	135 x 110	105 x 75/80	11	350

	Order no.	Size of wheel mm	Effective height mm	Plate size mm	Hole centres mm	Bolt hole mm Ø	Capacity kg
Swivel castors Polyamide	71502	125 x 38	165	105 x 80	80/76 x 60	9	200
	71503	150 x 40	191	135 x 110	105 x 75/80	11	350
	71504	200 x 50	237	135 x 110	105 x 75/80	11	350
Swivel castors with locks Polyamide	71512	125 x 38	165	105 x 80	80/76 x 60	9	200
	71513	150 x 40	191	135 x 110	105 x 75/80	11	350
	71514	200 x 50	237	135 x 110	105 x 75/80	11	350
Fixed-wheel castors Polyamide	71522	125 x 38	165	105 x 80	80/76 x 60	9	200
	71523	150 x 40	191	135 x 110	105 x 75/80	11	350
	71524	200 x 50	237	135 x 110	105 x 75/80	11	350

Fixed-wheel castors

71522 | 71523 | 71524

Casings made of steel sheet, galvanized. Wheels like swivel castors.



ACCESSORIES FOR MULTIVARIO TROLLEYS



Collapsible hinge

For open carts:

2500 | 2501 | 2502 | 2503

panelled end platform carts:

2510 | 2511 | 2512 | 2513 | 1510 | 1511 | 1512 | 1513

double open-side platform carts:

2520 | 2521 | 2522 | 2523 | 1520 | 1521 | 1522 | 1523.

Automatic push handle interlock, release by foot control.

German patent 10 2010 052 491

Add-on kit per trolley.



1273

Order no.	1273
-----------	------



Dead man brake

Suitable for all trolleys and carts with 2 swivel castors up to 600 kg capacity.

Brake lever put on = brake tightened.

Brake lever put on to push handle = brake released.

Long brake lever at the push handle of trolley (low expenditure of energy), bowden cable transmission on brake beam, a gas spring strut pushes the brake beam onto the wheels of the castors.

Secure braking efficiency.

Add-on kit per trolley. Can not be retrofited.

1287

Order no.	1287
-----------	------



Electric drive unit

As add-on kit for all open carts, panelled end platform carts, box carts, table top carts, shelved trolleys etc. with a wheel-Ø of 200 mm and width from 500 mm. Drive complete with batteries and charging device. Compact unit, easily to be assembled. Operating switch to be clamped to pushbar, connection with plug-in helix cable. Speed fully adjustable, for forward and reverse gears.

Technical specifications: Drive unit: 24 V DC, 2 PM motors: 2 x 12 V, 250 W, 0,7 HP, 2 GEL batteries: 2 x 12 V, 33 Ah, maintenance free. Max. speed 4,8 km/h, with fully charged batteries on a flat surface and a load of 500 kg, max. range: approx. 15 km. Hill climbing ability with 500 kg load: 5%/2°, Elasticated solid-rubber tyres 200 x 50 mm, blue-grey, trackless.

Warranty: 12 months. Surcharge per trolley. Can not be retrofited.

2200

Order no.	Capacity kg	Net weight kg
2200	500	55



TOTALSTOP-central brake system

Wheel and directional locking devices can be activated with only one push by foot. Apart from the rotation of the wheels, also the swivelling movement of both swivel castors is securely locked.

See details on page 5. Surcharge per cart.



2209-2214

Platform interior width: mm	Order no.
450	2209
500	2210
600	2211
700	2212
800	2213
1000	2214



Wheels with pneumatic tyres
220 x 70 mm, capacity 400 kg. Smooth running on rough surfaces, esp. outdoors. **Available for trolley width from 600 mm.**

NO TOTALSTOP possible.

Surcharge on standard wheel set.

Wheel-Ø	Order no.
125	1098
160	1099
200	1100



Wheels with blue-grey elastic tyres and ball bearing

Non-marking (trackless).

Wheels with elastic tyres and ball bearing. Easy, smooth running, high durability.

Surcharge on wheel set with TPE tyres.

Wheel-Ø	Order no.
125	12855
160	12865
200	12875



Wheels with polyurethane tyres

200 x 50 mm, hubs with roller bearings, smooth, silent running, resisting to many aggressive media.

Surcharge on standard wheel set.

Wheel-Ø	Order no.
125	2179
160	2180
200	2181



Wheels electrically conductive (anti-static) with TPE ESD tyres (thermoplastic elastomer)

Hubs with precision deep groove ball bearing
Non-marking (trackless).

Surcharge on standard wheel set.

Wheel-Ø	Order no.
125	2182
160	2183
200	2184



Polyamide wheels

High carrying-capacity. Smooth running on even floors. Largely resisting to humidity, salt, acids and caustic solutions.

Surcharge on standard wheel set.

Wheel-Ø	Order no.
125	1295
160	1296
200	1286



Protective edge

Of plastic profile for perimeter of base frame.

Surcharge per trolley.

Order no.	1289
-----------	------

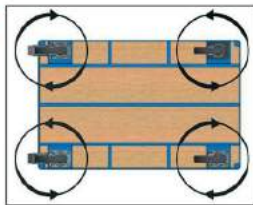


Protective wheels

50 mm Ø made of light grey plastic
total width =
platform + 80 mm

Surcharge per trolley.

Order no.	1299
-----------	------



4 swivel castors

Instead of 2 swivel castors and 2 fixed-wheel castors, high manoeuvrability, easily steerable into all directions, limited directional stability.

Surcharge per trolley.

Order no.	1288
-----------	------



Platform of rigid PVC panel

Weatherproof rigid PVC panel in dark grey. High chemical resistance, low flammability.

Surcharge per standard platform size.

Platform mm	Order no.
850 x 500	1430
1000 x 600	1431
1000 x 700	1432
1200 x 800	1433



Waterproof platforms

For MultiVario-transporters with with nonslip plywood-board.

Surcharge per standard platform size.

Platform mm	Order no.
850 x 500	1400
1000 x 600	1401
1000 x 700	1402
1200 x 800	1403



Platform with scoring rubber

Platform with glued-on fine rubber. Slip-resistant.

Surcharge per standard platform size.

Platform mm	Order no.
850 x 500	1410
1000 x 600	1411
1000 x 700	1412
1200 x 800	1413



ACCESSORIES



Scanner holder

Steel sheet, powder coated in RAL 7035, with adjustable bolt-on points at the back and sides. Tubular strut with multiple holes, with clamping bracket for attaching the scanner bag onto almost all of our products in virtually any position.



Scanner intake W x D x H: 120 x 87 x 150 mm
Front opening: 40 mm wide.

Order no.	1392
-----------	------



Clip board upright

For upright format DIN A4. Wood with paper clamp and pencil case.

Order no	Format
DIN A4 upright	1290



Clip board broadsize

For broadsize format DIN A4. Wood with paper clamp and pencil case.

Order no	Format
DIN A4 broadsize	1390



Shaft and tow hitch

For all MultiVario-transporters (capacity 600 kg - order no. 12920) and Super-MultiVario-transporters (capacity 1200 kg order no. 12921).

Construction as order no. 22894 on page 99.

Version	Order no.
MultiVario	12920
Super-MultiVario	12921



Softgrip

Push handle covered with plastic hose. Slip proof, isolating, pressure relieving and skinfriendly, only for push handle in all widths.

Order no.	1274
-----------	------



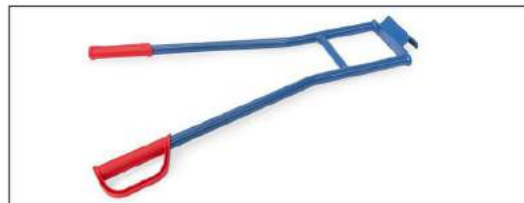
Wire basket

For small items, powder coated alu-silver.

L x D x H: 600 x 140 x 200 mm.

Order no.	1291
-----------	------

FOR TRUCKS



Carrier spars

For all trucks except 11050, 11051 and 11052. 2 handholds with clamps and wide cross strut,

welded, powder coated blue RAL 5007.

Order no.	Capacity kg	Height mm	Width mm
11045	350	850	570



Wheel spider lock

Add-on kit for stairway trucks TK1325, TK1326, AK1325 and AK1326. Wheel spider lock for easy moving on 2 wheels on flat surface. Easy self assembly.

Order no.	1770
-----------	------



Punctureproof tyres

Made of polyurethan material, absolutely punctureproof. Driving comfort similar to pneumatic wheels.



Suitable for all trucks and trolleys with pneumatic wheels.

Wheel mm	Order no.	Capacity kg per wheel	Packing unit
260 x 85	1776	150	pair = 2 pieces
260 x 85	1777	150	set = 4 pieces
400 x 100	1778	250	pair = 2 pieces
400 x 100	1779	250	set = 4 pieces



Handle

With safety loop for tube Ø 27 mm and Ø 33,5 mm

for tube Ø 27 mm:	
Order no.	1762

for tube Ø 33,5 mm:	
Order no.	1763



Plastic skids

1 set with clips.

Order no.	1753
-----------	------