

IP CCTV Cabling Solution

IPS304 – 4-Port GB Switch with 2 GB SFP Port

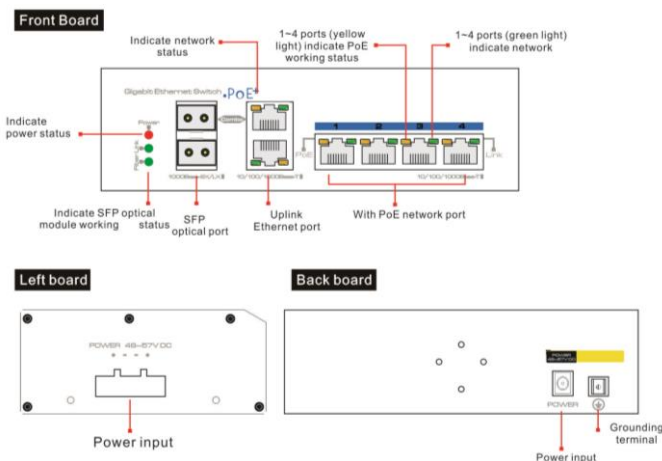
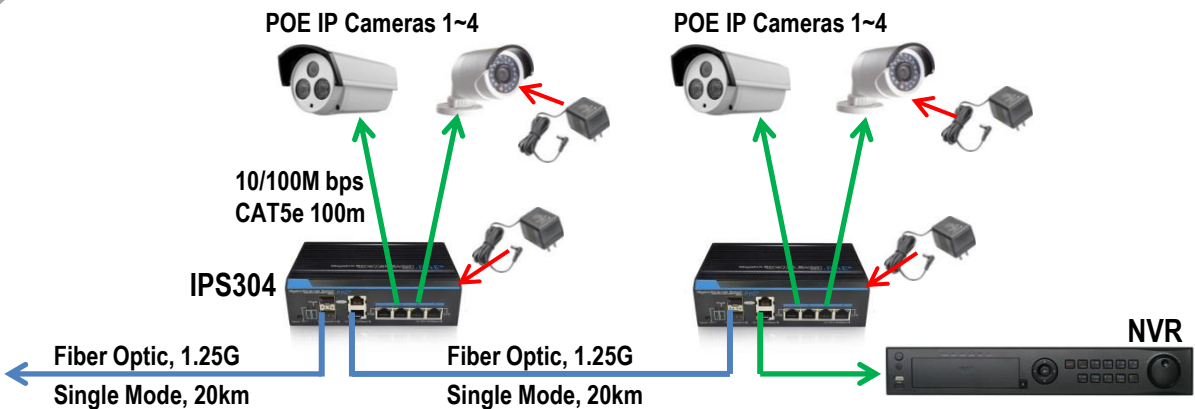


(SFP Fiber Optic Module Not Included)

Features

- 4x UTP **100m** Device Port, **10/100Mbps**
- 2x SFP Fibre-Optic Uplink, 1000 Base-T
- 2x UTP Uplink, 1000 Base-T
- 1.2Gbps Switching, 1M Buffer
- Surge Protection : 4KV
- 50000h MTBF
- Plug and Play
- 12DC (Adapter Inc.)
- LED indication : Power, SFP & Data

Connection Diagram



Specification

- 12VDC Input, <6W Max.
- Network Standard : IEEE802.3, 802.3u, 802.3ab, 802.3x, 802.3z
- Lightning Protection : 4KV
- Operating Environment : -40°~75°C / 0~95% Humidity
- Aluminum Casing with Black Epoxy Powder Coating
- MTBF : 50000 Hrs.
- Size : 163(W) x110(D) x46(H) mm
- Weight : 510g