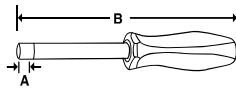


NUT DRIVERS



NDDM900A

Hard Handle, mm, 6 Point

Set Contains:

mm	Stock No.	A*	B	
5	NDDM50A	7.5	169	•
6	NDDM60A	7.5	169	•
7	NDDM70A	9.1	169	•
8	NDDM80A	9.9	169	•
9	NDDM90A	9.9	188	•
10	NDDM100A	13.1	207	•
11	NDDM110A	13.1	207	•
12	NDDM120A	13.1	221	•
13	NDDM130A	13.1	221	•

*Socket Length



NDD900B

Hard Handle, inches, 6 Point

- Sizes marked on side and end of handle for identification
- Handles easily wipe clean and resist oils and solvents
- Tubular, polished shanks with 1" recess
- Most popular sizes included in sets
- Includes storage tray

Set Contains:

mm	Stock No.	Handle Color	A*	B	
3/16	NDD106B	Black	19/64	6-21/32	•
7/32	NDD107BBR	Brown	19/64	6-21/32	•
1/4	NDD108BR	Red	19/64	6-21/32	•
9/32	NDD109BO	Orange	23/64	6-21/32	•
5/16	NDD110BY	Yellow	23/64	6-21/32	•
11/32	NDD111BG	Green	25/64	6-21/32	•
3/8	NDD112BB	Blue	25/64	7-13/32	•
7/16	NDD114BBR	Brown	33/64	8-5/32	•
1/2	NDD116BR	Red	33/64	8-21/32	•
9/16	NDD118BO	Orange	47/64	9-1/4	•
5/8	NDD120BY	Yellow	47/64	9-1/4	•

*Socket Length



NDSGM600

Ergonomic Soft Grip Handle, mm, 6 Point

Set Contains:

mm	Stock No.	Handle Color	Length	
7	NDSGM7	Blue	160	•
8	NDSGM8	Blue	160	•
10	NDSGM10	Blue	160	•
12	NDSGM12	Blue	160	•
13	NDSGM13	Blue	160	•
14	NDSGM14	Blue	160	•



NDSG600

Ergonomic Soft Grip Handle, inches, 12 Point

Set Contains:

mm	Stock No.	Handle Color	Length	
1/2	NDSG12	Red	6-3/8	•
1/4	NDSG14	Red	6-3/8	•
3/8	NDSG38	Red	6-3/8	•
5/16	NDSG516	Red	6-3/8	•
7/16	NDSG716	Red	6-3/8	•
9/32	NDSG932	Red	6-3/8	•



SDM400A



SDM410

Master Bit Sets (1/4" hex)

SDM400A Master SAE Screwdriver Bit Set

- Popular array of adaptors and bits for use with hand or cordless tools
- Bits made in USA
- Includes convenient storage case

Includes all bits below:

Bit Type	Stock No.	#
Flat Tip	SDM211B	.031 x .187"
	SDM212B	.035 x .219"
	SDM213B	.038 x .250"
	SDM214C	.046 x .312"
Hex Bit	SDM2704D	1/16"
	SDM2705D	5/64"
	SDM2706D	3/32"
	SDM2707D	7/64"
	SDM2708D	1/8"
	SDM2709D	9/64"
	SDM2710D	5/32"
	SDM2712D	3/16"
	SDM2714D	7/32"
	SDM2716D	1/4"
PHILLIPS® ACR®	SDM221IRB	#1
	SDM222IRB	#2
	SDM223IRB	#3
TORX® Bit	SDMT8D	T8
	SDMT9D	T9
	SDMT10D	T10
	SDMT15D	T15
	SDMT20D	T20
	SDMT25D	T25
	SDMT27D	T27
	SDMT30D	T30
POZIDRIV® ACR® Bit	SDM251IRC	#1
	SDM252IRB	#2
	SDM253IRC	#3
Scrulox® Bit	BTS0	#0
	BTS1	#1
	BTS2	#2
	BTS3	#3
1/4" Hex opening, 1/4" drive	TMBS8A	—
1/4" Hex to 1/4" Square	GMB3042	2" Long
Insert Bit Magnetic Holder	SDM11	—
Storage Case	PB90A	—

Master Bit Sets (1/4" hex)

SDM410 41 pc Metric Bit Set

- Popular array of adaptors allowing use with hand or cordless tools
- Bits made in USA
- Includes convenient storage case

Includes all bits below:

Bit Type	Stock No.	#	
Flat Tip	SDM211B	.031 x .187"	
	SDM212B	.035 x .219"	
	SDM213B	.038 x .250"	
	SDM214C	.046 x .312"	
PHILLIPS® ACR®	SDM221IRB	#1	
	SDM222IRB	#2	
	SDM223IRB	#3	
POZIDRIV® ACR® Bit	SDM251IRC	#1	
	SDM252IRB	#2	
	SDM253IRC	#3	
PHILLIPS® Limited Clearance Bit	SDM222CZ	#2	
Metric Hex Bit	SDMM2702B	2 mm	
	SDMM2702.5B	2.5 mm	
	SDMM2703B	3 mm	
	SDMM2704C	4 mm	
	SDMM2705C	5 mm	
	SDMM2706C	6 mm	
	SDMM2708B	8 mm	
TORX® Bit	SDMT8D	T8	
	SDMT9D	T9	
	SDMT10D	T10	
	SDMT15D	T15	
	SDMT20D	T20	
	SDMT25D	T25	
	SDMT27D	T27	
	SDMT30D	T30	
	SDMT40D	T40	
	TORX® Tamper Resistant Bit	SDMTR8	T8
SDMTR10		T10	
SDMTR15		T15	
SDMTR20		T20	
SDMTR25		T25	
SDMTR27		T27	
SDMTR30		T30	
SDMTR40		T40	
1/4" Hex opening, 1/4" drive		TMBS8A	—
1/4" Hex to 1/4" Square		GMB3042	2" Long
Insert Bit Magnetic Holder	SDM11	—	
Storage Case	PB900	—	



• Read safety precautions on pages W1 to W4

BIT SETS



SDM32KT

**Ball Hex Bit Sets (1/4" hex)
SDM32KT Ball Hex Set (Blue-Point®)**

- 1/4" shank bits for use in difficult access applications where fastener cannot be approached straight on
- 32 pc set

	Stock No.	#
Metric	SDMBMH2702	2 mm
	SDMBMH2702.5	2.5 mm
	SDMBMH2703	3 mm
	SDMBMH2704	4 mm
	SDMBMH2705	5 mm
	SDMBMH2706	6 mm
	SDMBMH2707	7 mm
	SDMBMH2708	8 mm
	SDMBMH2709	9 mm
	SDMBMH2710	10 mm
Fractional	SDMBH2706	3/32"
	SDMBH2707	7/64"
	SDMBH2708	1/8"
	SDMBH2709	9/64"
	SDMBH2710	5/32"
	SDMBH2712	3/16"
	SDMBH2714	7/32"
	SDMBH2716	1/4"
	SDMBH2720	5/16"
	SDMBH2724	3/8"

	Stock No.	#
TORX®	SDMBT10	T10
	SDMBT15	T15
	SDMBT20	T20
	SDMBT25	T25
	SDMBT27	T27
	SDMBT30	T30
	SDMBT40	T40
	SDMBT45	T45
	SDMBT50	T50
	SDMBT55	T55
Bit Holder	SDM13	—
1/4" Fem Hex to 1/4" Fem Sq Dr. Adaptor	TMBS108	—



SDM11KT

SDM11KT TORX® Ball Hex Set (Blue-Point®)

- Includes storage case with belt clip

	Stock No.	#
TORX®	SDMBT10	T10
	SDMBT15	T15
	SDMBT20	T20
	SDMBT25	T25
	SDMBT27	T27
	SDMBT30	T30
	SDMBT40	T40
	SDMBT45	T45
	SDMBT50	T50
	SDMBT55	T55
Bit Holder	SDM13	—
1/4" Fem Hex to 1/4" Fem Sq Dr. Adaptor	TMBS108	—



SDMC8D



SDMC8GT

Ratcheting Screwdriver Bit Sets (1/4" hex)

SDMC8D 8 pc Diamond Tip Combination Screwdriver Bit Set

- Set includes (1) Flat Diamond Tip Bit (1 mm), (3) Phillips® Diamond Tip Bits (#1, #2, #3) and (4) TORX® Diamond Tip Bits (T15, T20, T25, T30) in a black storage case (SDMC8)

SDMC8RD 8 pc Diamond Tip Combination Screwdriver Bit Set

- Set includes: (1) Flat Diamond Tip Bit (1 mm), (3) Phillips® Diamond Tip Bits (#1, #2, #3) and (4) TORX® Diamond Tip Bits (T15, T20, T25, T30) in a red storage case (SDMC8R); all bits are 1/4" hex shank

SDMC8T 8 pc TORX® Screwdriver Bit Set

- Set includes (8) TORX® Bits (T8–T30) in a black storage case (SDMC8)

SDMC8GT 8 pc TORX® Screwdriver Bit Set

- Set includes: (8) TORX® Bits (T8–T30) in a green storage case (SDMC8G)

SDMC8OT 8 pc TORX® Screwdriver Bit Set

- Set includes: (8) TORX® Bits (T8–T30) in an orange storage case (SDMC8O)

SDMC8RT 8 pc TORX® Screwdriver Bit Set

- Set includes: (8) TORX® Bits (T8–T30) in a red storage case (SDMC8R)

	Stock No.	#
Flat Tip Diamond Bit	SDMD213	1 mm/ 5.5 mm
Phillips® Diamond Bit	SDMD221	#1
	SDMD222	#2
	SDMD223	#3
TORX® Diamond Bit	SDMDT15	T15
	SDMDT20	T20
	SDMDT25	T25
	SDMDT30	T30
TORX® Bit	SDMT8D	T8
	SDMT9D	T9
	SDMT10D	T10
	SDMT15D	T15
	SDMT20D	T20
	SDMT25D	T25
	SDMT27D	T27
	SDMT30D	T30

Ratcheting Screwdriver Bit Sets (1/4" hex)



SDMC8GP



SDMC8OP

SDMC8P 8 pc Combination Screwdriver Bit Set

- Set includes (2) Flat Tip Bits (.031", .038"), (3) Phillips® Bits (#1, #2, #3), (1) Limited Clearance Phillips® Bit (#2), (1) Scrulox Bit (#2) and (1) 1" Adaptor in SDMC8 Black Storage Case

SDMC8GP 8 pc Combination Screwdriver Bit Set

- Same as SDMC8P but uses SDMC8G Green Storage Case

SDMC8OP 8 pc Combination Screwdriver Bit Set

- Same as SDMC8P but uses SDMC8O Orange Storage Case

SDMC8RP 8 pc Combination Screwdriver Bit Set

- Same as SDMC8P but uses SDMC8R Red Storage Case

SDMC8H Screwdriver Bit Set

- Set includes (8) Hex Bits 3/32–5/16" in SDMC8 Storage Case

SDMC8RH 8 pc Hex Screwdriver Bit Set

- Same as SDMC8H but uses SDMC8R Red Storage Case

SDMC8MH 8 pc Metric Hex Screwdriver Bit Set

- Set includes (8) Metric Hex Bits 2–10 mm in SDMC8 Black Storage Case

SDMC8RMH 8 pc Metric Hex Screwdriver Bit Set

- Same as SDMC8MH but uses SDMC8R Red Storage Case

Description	Stock No.	Size
Flat Tip Bit	SDM211B	.031 x .187"
	SDM212B	.035 x .219"
	SDM213B	.038 x .250"
Phillips® ACR® Bit	SDM221IRB	#1
	SDM222IRB	#2
	SDM223IRB	#3
Phillips® Limited Clearance Bit	SDM222CZ	#2
Scrulox Bit	BTS2	#2
Hex-to-Square Adaptor	GMB3041	1/4" Hex to 1/4" Square
Hex Bit	SDM2706D	3/32"
	SDM2708D	1/8"
	SDM2709D	9/64"
	SDM2710D	5/32"
	SDM2712D	3/16"
	SDM2714D	7/32"
	SDM2716D	1/4"
	SDM2720D	5/16"
Metric Hex Bit	SDMM2702B	2 mm
	SDMM2702.5B	2.5 mm
	SDMM2703B	3 mm
	SDMM2704C	4 mm
	SDMM2705C	5 mm
	SDMM2706C	6 mm
	SDMM2708B	8 mm
	SDMM2710B	10 mm

Power Bit Sets

SDMEXT27K 27 pc 1/4" Hex Adaptor and Bit Set (Ball-Detent)

Description	Stock No.	Size
Flat Tip Bit	SDM211B	.031 x .187"
	SDM212B	.035 x .219"
	SDM213B	.038 x .250"
Phillips® ACR® Bit	SDM221IRB	#1
	SDM222IRB	#2
	SDM223IRB	#3
Phillips® Power Bit	SDM321B	#1
	SDM322B	#2
	SDM323A	#3
Magnetic Nutsetter	SDMN25	1/4" Hex x 1/4"
	SDMN31	1/4" Hex x 5/16"
Scrulox Bit	BTS1	#1
	BTS2	#2
	BTS3	#3
TORX® Bit	SDMT10D	T10
	SDMT15D	T15
	SDMT20D	T20
	SDMT25D	T25
	SDMT27D	T27
	SDMT30D	T30
Hex-to-Square Adaptor, 1/4" Hex to 1/4" Square	GMB3041	1" Long
	GMB3042	2" Long
	GMB3046	6" Long
Hex-to-Square Adaptor, 1/4" Hex to 3/8" Square	AB3042	2" Long
	AB3046	6" Long
Insert Bit Magnetic Holder	SDM11	—
Quick-Change Coupler, 1/4" Drive	TMC109A	—



SDMEXT27K



• Read safety precautions on pages W1 to W4

BIT SETS

SDMEXT19K



Power Bit Sets

SDMEXT19K 19 pc 1/4" Drive Hex Adaptor and Bit Set

- Complete set includes the most popular sizes and lengths of extensions, adaptors and bits
- 1/4" hex to 1/4 or 3/8" square drives hex-to-square adaptors for use with sockets (2 and 6" long)
- Magnetic bit holder for use with insert bits and quick change coupler for use with 1/4" hex power bits
- Includes (3) flat tip, (3) Phillips®, (3) Phillips® insert bits and (3) TORX® power bits

SDML19KT



SDML19KT 19 pc Long Power Bit Set

- Includes an assortment of popular-sized bits to cover a wide range of applications
- Helps avoid costly damage to work surface by eliminating chuck contact

YA52PBSQC Power Bit Set (Blue-Point®)

Includes:

- (7) Six-lobe star (tamper-proof) insert bits
- (3) Square insert bits
- (4) Phillips® insert bits
- (4) Slotted insert bits
- (7) Hex insert bits
- (2) Clutch insert bits
- (6) Six-lobe star (tamper-proof) power bits
- (3) Square power bits
- (3) Phillips® power bits
- (3) Slotted power bits
- (3) Hex power bits
- (3) Socket adaptors
- Quick change chuck
- (2) Phillips® double end bits
- Square bit holder
- Storage case



YA52PBSQC

Description	Stock No.	Size
Flat Tip Bit	SDM211B	.031 x .187"
	SDM212B	.035 x .219"
	SDM213B	.038 x .250"
Phillips® ACR® Bit	SDM221IRB	#1
	SDM222IRB	#2
	SDM223IRB	#3
Phillips® Power Bit	SDM321B	#1
	SDM322B	#2
	SDM323A	#3
TORX® Power Bit	SDMT315A	T15
	SDMT320A	T20
	SDMT325A	T25
Hex-to-Square Adaptor, 1/4" Hex to 1/4" Square	GMB3041	1" Long
	GMB3042	2" Long
	GMB3046	6" Long
Hex-to-Square Adaptor, 1/4" Hex to 3/8" Square	AB3042	2" Long
	AB3046	6" Long
Insert Bit Magnetic Holder	SDM11	—
Quick-Change Coupler, 1/4" Drive	TMC109A	—

Stock No.	Size	Length
SDM414A	.034 x .187	3"
SDM416A	.038 x .250	3"
SDM421B	PH#1	2-3/4"
SDM422B	PH#2	2-3/4"
SDM423B	PH#3	2-3/4"
SDMT415	T15	2-3/4"
SDMT420	T20	2-3/4"
SDMT425	T25	2-3/4"
SDMT427	T27	2-3/4"
SDM614	.034 x .187	6"
SDM616	.038 x .250	6"
SDM621A	PH#1	6"
SDM622A	PH#2	6"
SDM623A	PH#3	6"
SDMT615	T15	6"
SDMT620	T20	6"
SDMT625	T25	6"
SDMT627	T27	6"
TMC109A	Quick Change Coupler	

CTS561BITSET 23 pc 1/4" Drive Quick Change Bit Set (Blue-Point®)

- Includes (22) bits (all 3" long) plus a 1/4" square drive (2" long)
- Bits included in CTS561BITSET:
PHILLIPS® Bits: #0, #1, #2; Flat Tip Bits: 5/32", 3/16", 7/16", 1/4", 9/32"; TORX® Bits: T10, T15, T20, T25, T27, T30, T40; Hex Bits: 3/32", 7/64, 1/8", 5/32", 3/16", 7/32", 1/4"
- Storage case



CTS561BITSET

CTS561BITXL 14 pc 6" Power Bit Set (Blue-Point®)

- Comprehensive set offering including stainless-steel insert bit adaptor
- T8, T10, T15, T20, T25, T27, T30
- Phillips® #1, #2 and #3, Square #1 and #2
- SDM611 stainless steel adaptor with magnetic retention
- CTS561BITCS indexable case



CTS561BITXL

Screwdriver Bit Holders

SDM11 Insert Bit Magnetic Holder

- For quick hex bit changes when used with electric drill or screw gun
- Magnetic and lock ring bit retention
- 2-7/8" long



SDM11



SDM611

SDM611 Insert Bit Magnetic Holder (Blue-Point®)

- For quick hex bit changes when used with electric drill or screw gun
- Magnetic bit retention
- 6" long

SSDM10A Bits Pocket Box

- Pocket sized storage system for SDM series bits
- Includes quick change bit holder



SSDM10A



SSDM28

SSDM28 Magnetic Hex Bit Organizer (Blue-Point®)

- Holds (8) 5/16" and (18) 1/4" hex bits
- Five clips slide on rail to easily access bit
- Magnets on base of holder for attachment to any ferrous metal surface
- Plastic material helps protect finished surface from scratches

TMC109A Quick Change Coupler

- Use with any 1/4" drive handle
- Spring release shell retracts to accept 1/4" hex power type bits
- Ideal for production situations where positive bit retention is required



TMC109A

Screwdriver Bit Sockets

- For use with standard 1/4" hex SDM series screwdriver bits

Stock No.	Description
CFSSB8	3/8" Drive Non-Conductive Composite Universal Bit Holder
FBS8	3/8" Drive Screwdriver Bit Socket
FBS9	3/8" Drive Screwdriver Bit Socket



FBS8



CFSSB8

Magnetic Screwdriver Bit Sockets

- For use with standard 1/4" hex SDM series screwdriver bits

Stock No.	Description
FBSM8A	3/8" Drive Magnetic Screwdriver Bit Socket
GTMS8A	1/4" Drive Magnetic Screwdriver Bit Socket
TMBS8A	1/4" Drive Magnetic Screwdriver Bit Socket
TMUBS8	1/4" Drive Magnetic Screwdriver Bit Universal Socket



TMBS8A



TMUBS8

Magnetic Nutdrivers

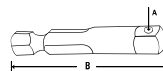
- Allows ratcheting screwdrivers (with 1/4" hex end) to be used as a nut driver
- Magnet securely holds nut during use

Stock No.	Size	Hex Size, inches	Length, inches
SDMN25	1/4	1/4	1-3/4
SDMN31	5/16	1/4	1-3/4



SDMN31

Hex To Square Adaptors



- 1/4 hex-to-1/4 square adaptor features a hex insert and ball-detent end that can be used with small 1/4 sockets
- Allows ratcheting screwdrivers to be used as ratcheting nutdrivers

Stock No.	A	B
GMB3041	Ball Detent	1
GMB3042	Ball Detent	2
GMB3046	Ball Detent	6
AB3042	Pin Detent	2
AB3044	Pin Detent	4
AB3046	Pin Detent	6



GMB3046



AB3042






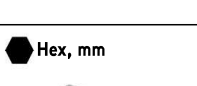
*Insert Bit Style, non-impact



• Do not use chrome or industrial finish hand tools with impact drivers
• Read safety precautions on pages W1 to W4

1/4" HEX SHANK BITS

- Durable alloy steel for long life
- Specialized heat treat for consistent quality
- Precision milled tip geometry for optimal fastener engagement
- Made in USA

	Stock No.	#
 Flat Tip	SDM211B	.031 x .187"
	SDM212B	.035 x .219"
	SDM213B	.038 x .250"
	SDM214C	.046 x .312"
	SDM215C	.055 x .375"
 Phillips®	SDM221C	#1
	SDM222ZB	#2
	SDM222CZ	#2
	SDM223C	#3
 Clutch A	SDM242	3/32"
	SDM243	1/8"
	SDM244	5/32"
	SDM245	3/16"
	SDM246	1/4"
 Clutch G	SDM242G	3/32"
	SDM243G	1/8"
	SDM244G	5/32"
	SDM245G	3/16"
	SDM246G	1/4"
 Hex, inches	SDM2704D	1/16"
	SDM2705D	5/64"
	SDM2706D	3/32"
	SDM2707D	7/64"
	SDM2708D	1/8"
	SDM2709D	9/64"
	SDM2710D	5/32"
	SDM2712D	3/16"
	SDM2714D	7/32"
	SDM2716D	1/4"
	SDM2720D	5/16"
	SDM2724D	3/8"
	 Hex, mm	SDMM2702B
SDMM2702.5B		2.5 mm
SDMM2703B		3 mm
SDMM2704C		4 mm
SDMM2705C		5 mm
SDMM2706C		6 mm
SDMM2708B		8 mm
SDMM2710B	10 mm	



SDM251IRC



SDM221IRB

Pozidriv® ACR® Installer/Remover







- Anti-camout ribs bite into fasteners and help prevent damage to the fastener

Stock No.	#
SDM251IRC	#1
SDM252IRB	#2
SDM252IRC	#2
SDM253IRC	#3

Phillips® ACR®

- Anti-camout ribs bite into fasteners and help prevent damage to the fastener

Stock No.	#
SDM221IRB	#1
SDM222IRB	#2
SDM223IRB	#3

	Stock No.	#
 POZIDRIV®	SDM251C	#1
	SDM252C	#2
	SDM253C	#3
 TORX®	SDMT6A	T6
	SDMT7A	T7
	SDMT8D	T8
	SDMT9D	T9
	SDMT10D	T10
	SDMT15D	T15
	SDMT20D	T20
	SDMT25D	T25
	SDMT27D	T27
	SDMT30D	T30
SDMT40D	T40	
 Square	BTS0	#0
	BTS1	#1
	BTS2	#2
	BTS3	#3
 Tri-Wing	BTW0A	#0
	BTW1A	#1
	BTW2A	#2
	BTW3A	#3
	BTW4A	#4
	BTW5A	#5
 Double Square	BTSS2	#2
 Valve and Stem	SDMV208	—

*Small profile/narrow tip **Included as part of SDM400A Master Bit Set.

- BTS and BTSS Series bits can be used on recessed double square fasteners commonly used on trailer and RV exteriors
- Bit size varies by application



SDMTW8A



SDMTR8

Wobble Bits

- Give up to an 18° angle of "wobble"

Stock No.	#
SDMTW8A	T8
SDMTW9A	T9
SDMTW15A	T15
SDMTW20A	T20
SDMTW25A	T25
SDMTW27A	T27
SDMTW30A	T30
SDMTW40A	T40





Tamper Resistant TORX®

- Bits SDMTR8–SDMTR40 are 1/4"; bits SDMTR45 and SDMTR50 are 5/16"

Stock No.	#	Diameter, inches
SDMTR8	T8	1/4
SDMTR10	T10	1/4
SDMTR15	T15	1/4
SDMTR20	T20	1/4
SDMTR25	T25	1/4
SDMTR27	T27	1/4
SDMTR30	T30	1/4
SDMTR40	T40	1/4
SDMTR45	T45	5/16
SDMTR50	T50	5/16


Diamond Tip Bits

- Diamond particles “bite” into fasteners which minimizes slipping
- Diamond particles are extremely hard for long lasting performance and minimal wear

	Stock No.	#
 PHILLIPS®	SDMD221	#1
	SDMD222	#2
	SDMD223	#3
 Flat Tip	SDMD212	.8 mm/5.5 mm
	SDMD213	1 mm/5.5 mm
	SDMD214	1.2 mm/6.5 mm
 TORX®	SDMDT10	T10
	SDMDT15	T15
	SDMDT20	T20
	SDMDT25	T25
	SDMDT30	T30
	SDMDT40	T40
 Power Bit	SDMD321	#1
	SDMD322	#2
	SDMD323	#3

Mortorq® Bits

- Designed for use with Mortorq® fasteners
- Used on aerospace applications
- Low profile head design, high strength torque acceptance and lighter weight
- Bits designed to allow fastener removal at various angles for ease of use
- Bits with hex size of 1/4" to be used with Snap-on® ratcheting screwdrivers
- Exact manufacturing processes ensure precise fastener engagement
- Part numbers stamped on bit

Bit Type	Stock No.	Size
 Mortorq®	SDMMT00	#00
	SDMMT1	#1
	SDMMT2	#2
	SDMMT3	#3

INSERT BITS




BLPTMBS1414


Bit Holder and 1/4" Bits (Blue-Point®)

Stock No.	Description	Size
BLPTMBS1414	Bit Holder (Blue-Point®)	—
BLPTMBS3814	Bit Holder (Blue-Point®)	3/8"
BLPHB14	Hex Bit (Blue-Point®)	1/4"
BLPHB18	Hex Bit (Blue-Point®)	1/8"
BLPHB316	Hex Bit (Blue-Point®)	3/16"
BLPHB532	Hex Bit (Blue-Point®)	5/32"
BLPHB732	Hex Bit (Blue-Point®)	7/32"
BLPHB964	Hex Bit (Blue-Point®)	9/64"
BLPHBM3	Metric Hex Bit (Blue-Point®)	3 mm
BLPHBM4	Metric Hex Bit (Blue-Point®)	4 mm
BLPHBM5	Metric Hex Bit (Blue-Point®)	5 mm
BLPHBM6	Metric Hex Bit (Blue-Point®)	6 mm
BLPTB10TP	1/4" Drive T10 TORX® Tamper Resistant Bit (Blue-Point®)	T10
BLPTB15TP	1/4" Drive T15 TORX® Tamper Resistant Bit (Blue-Point®)	T15
BLPTB20TP	1/4" Drive T20 TORX® Tamper Resistant Bit (Blue-Point®)	T20
BLPTB25TP	1/4" Drive T25 TORX® Tamper Resistant Bit (Blue-Point®)	T25
BLPTB30TP	1/4" Drive T30 TORX® Tamper Resistant Bit (Blue-Point®)	T30
BLPFB14	1/4" Drive SAE 1/4" Flat Tip Bit (Blue-Point®)	1/4"
BLPFB316	1/4" Drive SAE 3/16" Flat Tip Bit (Blue-Point®)	3/16"
BLPFB532	1/4" Drive SAE 5/32" Flat Tip Bit (Blue-Point®)	5/32"
BLPFB732	1/4" Drive SAE 7/32" Flat Tip Bit (Blue-Point®)	7/32"
BLPFB932	1/4" Drive SAE 9/32" Flat Tip Bit (Blue-Point®)	9/32"
BLPPB0	1/4" Drive #0 Phillips® Tip Bit (Blue-Point®)	#0
BLPPB1	1/4" Drive #1 Phillips® Tip Bit (Blue-Point®)	#1
BLPPB2	1/4" Drive #2 Phillips® Tip Bit (Blue-Point®)	#2
BLPPB3	1/4" Drive #3 Phillips® Tip Bit (Blue-Point®)	#3
BLPSQB1	1/4" Drive #1 Square Tip Bit (Blue-Point®)	#1
BLPSQB2	1/4" Drive #2 Square Tip Bit (Blue-Point®)	#2

TORX® Insert Bits

	Stock No.	#	Length, inches
 TORX®	SDMTA40	T40	.312
	SDMTA45	T45	.312
	SDMTA50	T50	.312
	SDMTA55	T55	.312

Specialty Insert Bits

	Stock No.	Dimension A, Shank Dia., inches
	SDM3D24	.312

SDM3D24 Flat Tip/#2 Phillips® Insert Bit

- Double end bit #2 Phillips® and .05" slotted tip
- For use with SDDDM series pocket screwdrivers




• Do not use chrome or industrial finish hand tools with impact drivers
 • Read safety precautions on pages W1 to W4


POWER BITS

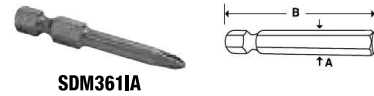
- Durable alloy steel for long life
- Specialized heat treat for consistent quality
- Precision milled tip geometry for optimal fastener engagement
- Made in USA

✦ PHILLIPS® (Power)

	Stock No.	#	1/4"	A	B
✦ PHILLIPS® 	SDM220A	#0	1/4	—	1
	SDM320A	#0	1/4	.125	1-15/16
	SDM321B	#1	1/4	.187	1-15/16
	SDM322B	#2	1/4	.234	1-15/16
	SDM323A	#3	1/4	.234	1-15/16
	SDM421B	#1	1/4	.187	2-3/4
	SDM422B	#2	1/4	.234	2-3/4
	SDM423B	#3	1/4	.234	2-3/4
	SDM521A	#1	1/4	.187	3-1/2
	SDM522A	#2	1/4	.234	3-1/2
	SDM523A	#3	1/4	.234	3-1/2
	SDM621A	#1	1/4	.187	6
	SDM622A	#2	1/4	.234	6
	SDM623A	#3	1/4	.234	6
	SDMA421	#1	5/16	.250	3
	SDMA422A	#2	5/16	.250	3
	SDMA423A	#3	5/16	.296	3
	SDMB422A	#2	7/16	.312	3
	SDMB423A	#3	7/16	.312	3
	SDMB424A	#4	7/16	.375	3
	SDMB522A	#2	7/16	.312	4-1/2
	SDMB523A	#3	7/16	.312	4-1/2
	SDMB524A	#4	7/16	.375	4-1/2
	SDMB622	#2	7/16	.312	6
	SDMB623A	#3	7/16	.312	6
	SDMB624A	#4	7/16	.312	6

— Flat Tip

	Stock No.	#	1/4"	A	B
— Flat Tip 	SDM311B	.026 x .122"	1/4	.187	1-15/16
	SDM312B	.028 x .134"	1/4	.187	1-15/16
	SDM313B	.032 x .154"	1/4	.187	1-15/16
	SDM314B	.034 x .187"	1/4	.187	1-15/16
	SDM315A	.036 x .215"	1/4	.234	1-15/16
	SDM316A	.038 x .250"	1/4	.234	1-15/16
	SDM317A	.042 x .275"	1/4	.234	1-15/16
	SDM318A	.046 x .312"	1/4	.234	1-15/16
	SDM319A	.050 x .360"	1/4	.234	1-15/16
	SDM411B	.026 x .122"	1/4	.234	3
	SDM412B	.028 x .134"	1/4	.187	3
	SDM414A	.034 x .187"	1/4	.187	3
	SDM415A	.036 x .215"	1/4	.250	3
	SDM416A	.038 x .250"	1/4	.234	3
	SDM417A	.042 x .275"	1/4	.234	3
	SDM418A	.046 x .312"	1/4	.234	3
	SDM419A	.050 x .360"	1/4	.234	3
	SDM511A	.026 x .122"	1/4	.187	3-1/2
	SDM512A	.028 x .134"	1/4	.187	3-1/2
	SDM513A	.032 x .154"	1/4	.187	3-1/2
	SDM514A	.034 x .187"	1/4	.187	3-1/2
	SDM515A	.036 x .215"	1/4	.234	3-1/2
	SDM516A	.038 x .250"	1/4	.234	3-1/2
	SDM517A	.042 x .275"	1/4	.234	3-1/2
	SDM518A	.046 x .312"	1/4	.234	3-1/2
	SDM519A	.050 x .360"	1/4	.234	3-1/2
	SDM614	.034 x .187"	1/4	.187	6
	SDM616	.038 x .250"	1/4	.234	6



SDM3611A

✦ PHILLIPS® ACR®/Installer (Power)

Stock No.	#	1/4"	A	B
SDM3611A	#1	1/4	.187	1-15/16
SDM3621A	#2	1/4	.234	1-15/16
SDM3631A	#3	1/4	.234	1-15/16




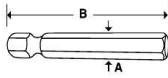
SDM361RA

✦ PHILLIPS® ACR®/Removal (Power)

Stock No.	#	1/4"	A	B
SDM361RA	#1	1/4	.187	1-15/16
SDM362RA	#2	1/4	.234	1-15/16
SDM363RA	#3	1/4	.234	1-15/16

★ TORX® (Power)

	Stock No.	#	1/4"	A	B
★ TORX® 	SDMT307A	T7	1/4	.140	1-15/16
	SDMT308A	T8	1/4	.140	1-15/16
	SDMT309A	T9	1/4	.140	1-15/16
	SDMT310A	T10	1/4	.140	1-15/16
	SDMT315A	T15	1/4	.140	1-15/16
	SDMT320A	T20	1/4	.203	1-15/16
	SDMT325B	T25	1/4	.203	1-15/16
	SDMT327A	T27	1/4	.203	1-15/16
	SDMT330A	T30	1/4	.250	1-15/16
	SDMT340A	T40	1/4	.250	1-15/16
	SDMT407	T7	1/4	.140	2-3/4
	SDMT408	T8	1/4	.140	2-3/4
	SDMT409	T9	1/4	.140	2-3/4
	SDMT410	T10	1/4	.140	2-3/4
	SDMT415	T15	1/4	.140	2-3/4
	SDMT420	T20	1/4	.203	2-3/4
	SDMT425	T25	1/4	.203	2-3/4
	SDMT427	T27	1/4	.203	2-3/4
	SDMT430	T30	1/4	.250	2-3/4
	SDMT440	T40	1/4	.250	2-3/4
	SDMT507	T7	1/4	.140	3-1/2
	SDMT508	T8	1/4	.140	3-1/2
	SDMT510	T10	1/4	.140	3-1/2
	SDMT515	T15	1/4	.140	3-1/2
	SDMT520	T20	1/4	.203	3-1/2
	SDMT525	T25	1/4	.203	3-1/2
	SDMT527	T27	1/4	.203	3-1/2
	SDMT530	T30	1/4	.250	3-1/2
	SDMT540	T40	1/4	.250	3-1/2
	SDMT607	T7	1/4	.140	6
	SDMT608	T8	1/4	.140	6
	SDMT609	T9	1/4	.140	6
	SDMT610	T10	1/4	.156	6
	SDMT615	T15	1/4	.156	6
	SDMT620	T20	1/4	.187	6
	SDMT625	T25	1/4	.234	6
	SDMT627	T27	1/4	.250	6
	SDMT630	T30	1/4	.250	6
	SDMT640	T40	1/4	.250	6



SDM351B

✦ POZIDRIV® (Power)

Stock No.	#	II	A	B
SDM351B	#1	1/4	.187	1-15/16
SDM352B	#2	1/4	.234	1-15/16
SDM353B	#3	1/4	.234	1-15/16
SDM451A	#1	1/4	.187	2-3/4
SDM452A	#2	1/4	.234	2-3/4
SDM453A	#3	1/4	.234	2-3/4
SDM551A	#1	1/4	.187	3-1/2
SDM552A	#2	1/4	.234	3-1/2
SDM553A	#3	1/4	.234	3-1/2
SDM651A	#1	1/4	.187	6
SDM652A	#2	1/4	.234	6
SDM653A	#3	1/4	.234	6



SDMTR325



SDMTS302

⚙ Tamper Resistant TORX®

Stock No.	#	Length, inches
SDMTR308	T8	1-15/16
SDMTR310	T10	1-15/16
SDMTR315	T15	1-15/16
SDMTR320	T20	1-15/16
SDMTR325	T25	1-15/16
SDMTR327	T27	1-15/16
SDMTR330	T30	1-15/16

■ Square

Stock No.	#	II
SDMTS301	#1	1-15/16
SDMTS302	#2	1-15/16



SDMM3702



SDM3709

⬠ Hex, mm (Power)

Stock No.	mm	A	B
SDMM3702	2	.09	1-15/16
SDMM37025	2.5	.11	1-15/16
SDMM3703	3	.13	1-15/16
SDMM3704	4	.18	1-15/16
SDMM3705	5	.22	1-15/16
SDMM3706	6	.27	1-15/16
SDMM3707	7	.31	1-15/16
SDMM3708	8	.36	1-15/16
SDMM3710	10	.45	1-15/16

⬠ Hex, inches (Power)

Stock No.	#	II	A	B
SDM3704	1/16	1/4	.115	1-15/16
SDM3705	5/64	1/4	.234	1-15/16
SDM3706	3/32	1/4	.234	1-15/16
SDM3707	7/64	1/4	.234	1-15/16
SDM3708	1/8	1/4	.234	1-15/16
SDM3709	9/64	1/4	.234	1-15/16
SDM3710	5/32	1/4	.234	1-15/16
SDM3712	3/16	1/4	.234	1-15/16
SDM3714	7/32	1/4	.250	1-15/16
SDM3716	1/4	1/4	.250	1-15/16
SDMA4708	1/8	5/16	.234	3
SDMA4710	5/32	5/16	.234	3
SDMA4712	3/16	5/16	.234	3
SDMA4714	7/32	5/16	.281	3
SDMA4716	1/4	5/16	.281	3
SDMA4720	5/16	5/16	.312	3
SDMA4724	3/8	5/16	.312	3



• Do not use bits with impact drivers
• Read safety precautions on pages W1 to W4

AWLS, HOOKS AND PICKS



SGASA104BR

Awls and Hooks/Instinct® Soft Grip

- Use for scribing, alignment, O-ring removal, piercing holes in leather or fabric and cleaning crevices

Set Contains:

Stock No.	Description	Blade Length, inches	Overall Length, inches	Red
SG4ASABR	Instinct® Awl	3-3/4	8	•
SG4ASHBR	Instinct® Hook	3-3/4	8	•
SG5ASABR	Instinct® Awl	4-3/4	9-5/8	•
SG7ASABR	Instinct® Awl	5-3/4	10-5/8	•

Set includes storage tray.

SGASA104BR



SG3ASACG

Hard Grip Handle Colors



ADD SUFFIX TO STOCK NUMBER FOR SPECIAL COLORS

Miniature Awls, Hooks and Picks/Soft Grip

- Comfortable, non-slip Instinct® handle
- Strong, special steel blades for lasting performance
- High polish finish
- Blades are replaceable
- Use for scribing, alignment, O-ring removal, piercing holes in leather or fabric and cleaning crevices
- 3-1/8" blade length, 6" long

Set Contains:

Red	Orange	Green	Description	Red	Orange	Green
SG3ASACR	SG3ASACO	SG3ASACG	Mini Awl	•	•	•
SG3ASH45CR	SG3ASH45CO	SG3ASH45CG	Mini Hook	•	•	•
SG3ASH90CR	SG3ASH90CO	SG3ASH90CG	Instinct® 45° Tip Miniature Pick	•	•	•
SG3ASHCR	SG3ASHCO	SG3ASHCG	Instinct® 90° Tip Miniature Pick	•	•	•

SGASA204CR

SGASA204CO

SGASA204CG



SGLASA204CG

Hard Grip Handle Colors



ADD SUFFIX TO STOCK NUMBER FOR SPECIAL COLORS

Long Small Size Awls, Hooks and Picks/Soft Grip

- Use for scribing, alignment, O-ring removal, piercing holes in leather or fabric and cleaning crevices
- Blade length 8", 9-23/32"

Set Contains:

Red	Orange	Green	Description	Red	Orange	Green
SGL3ASACR	SGL3ASACO	SGL3ASACG	Long Mini Awl	•	•	•
SGL3ASH45CR	SGL3ASH45CO	SGL3ASHCG	Long Mini Hook	•	•	•
SGL3ASH90CR	SGL3ASH90CO	SGL3ASH45CG	Long Mini Pick (45 Degree)	•	•	•
SGL3ASHCR	SGL3ASHCO	SGL3ASH90CG	Long Mini Pick (90 Degree)	•	•	•

Set includes storage tray.

SGLASA204CR

SGLASA204CO

SGLASA204CG



SH6ASA

SGSR104AR



Hard Grip Handle Colors



ADD SUFFIX TO STOCK NUMBER FOR SPECIAL COLORS

Awls/Hard Grip

Stock No.	Blade Length, inches	Overall Length, inches
SH6ASA	4-3/4	6-5/8

Seal Removal Tools/Soft Grip

Red	Green	Orange	Tip Style	Blade Length, inches	Overall Length, inches	Red	Green	Orange
SGSR1AR	SGSR1AG	SGSR1AO	Spoon	5-1/4	8	•	•	•
SGSR2AR	SGSR2AG	SGSR2AO	Spoon	2-1/2	5-11/32	•	•	•
SGSR3AR	SGSR3AG	SGSR3AO	Contoured	2-1/2	5-11/32	•	•	•
SGSR4AR	SGSR4AG	SGSR4AO	Contoured	5-1/4	8	•	•	•

Set Contains:

SGSR104AR

SGSR104AG

SGSR104AO

STANDARD AND EXTRA LONG AWLS, HOOKS AND PICKS



PSLR6

Picks and Scribes/Extra Long (Blue-Point®)

- Use to separate wires, remove small fuses and O-rings, retrieve washers and loose parts too small to pick up with fingers or to mark metal or plastic surfaces
- Heavy duty shank diameter is 0.02" thicker than standard picks for added durability and extended tool life
- Each pick is 9-3/4" (247.7 mm) long

Stock No.	Description	Set Contains:	
		PSLR4	PSLR6
PSLR4-1	Extra Long Hook Pick (Blue-Point®)	•	•
PSLR4-2	Extra Long 90° Hook Pick (Blue-Point®)	•	•
PSLR4-3	Extra Long Straight Pick (Blue-Point®)	•	•
PSLR4-4	Extra Long Complex Pick (Blue-Point®)	•	•
PSLR4-5	Extra Long Combination Pick (Blue-Point®)		•
PSLR4-6	Extra Long Double Angle Pick (Blue-Point®)		•



PSLR4LT

Picks and Scribes/Extra-Long Lighted (Blue-Point®)

- LED lighted hook and pick set allows easier viewing in dark and hard to reach areas
- Made of durable carbon heat treated steel
- Ergonomic soft grip contoured handle
- Each pick measures 9-3/4 inches long (247.7 mm)
- Push button LED switch on end of handle
- Each pick requires (3) LR41 batteries (included). Replacement battery P/N RSND384392PK (1 battery)

Stock No.	Description	Set Contains:
PSLR4LT-1	Extra Long Lighted Hook Pick (Blue-Point®)	•
PSLR4LT-2	Extra Long Lighted 90° Hook Pick (Blue-Point®)	•
PSLR4LT-3	Extra Long Lighted Straight Pick (Blue-Point®)	•
PSLR4LT-4	Extra Long Lighted Complex Pick (Blue-Point®)	•

Picks and Scribes/Interchangeable

PSLRQC4LT 4 pc Lighted Pick Set (Blue-Point®)

- Quick-change collet allows picks and hooks to be interchanged fast and without tools
- Six LEDs illuminate dark work areas
- Black oxide finish protects the strong chrome-vanadium steel shafts
- Includes PSLRQC4LT-1 thru PSLRQC4LT-4 Picks/Hooks, durable roll-up nylon pouch and 3 "AAA" batteries



PSLRQC4LT

Stock No.	Description	Set Contains:
PSLRQC4LT-1	Lighted Straight Pick (Blue-Point®)	•
PSLRQC4LT-2	Lighted Complex Pick (Blue-Point®)	•
PSLRQC4LT-3	Lighted 90° Pick (Blue-Point®)	•
PSLRQC4LT-4	Lighted Hook Pick (Blue-Point®)	•

Picks and Scribes (Blue-Point®)

YA145A

- Four popular tip configurations that thread into handle
- All components anodized black to provide better contrast
- Includes pouch

YA148

- Thicker, 3/16" diameter blades resist bending
- Longer length for greater reach into tight work areas
- Handle can be adjusted along length of blade
- Includes pouch

YA149A

- Stainless steel picks avoid corrosion
- Includes pouch



YA145A



YA148



YA149A

Stock No.	Description	Overall Length, inches (assembled to handle)	Set Contains:		
			YA145A	YA148	YA149A
YA145-1	Straight Tip Pick (Blue-Point®)	7-7/16	•		
YA145-2	90° Tip Pick (Blue-Point®)	7-7/16	•		
YA145-3	Hook Tip Pick (Blue-Point®)	7-7/16	•		
YA145-4	Angle Tip Pick (Blue-Point®)	7-7/16	•		
YA145A-5	Black Anodized Handle		•		
YA148-1	Scribe, Straight/90 Deg Tip	11-5/8		•	
YA148-2	Scribe, Straight/Hook	11-1/2		•	
YA148-3	Scribe, Straight/Double Bend	11-7/8		•	
YA149-1	Straight Pointed Pick (Blue-Point®)	5-1/2			•
YA149-2	Curved with 90° Pointed Pick (Blue-Point®)	5-1/4			•
YA149-3	45° with Flat Tip Pick (Blue-Point®)	5-1/2			•
YA149-4	90° Pointed Pick (Blue-Point®)	5-1/2			•
YA149-5	Double Ended Short Pick (Blue-Point®)	6-3/16			•
YA149-6	Double Ended Long Curve Pick (Blue-Point®)	6-1/2			•
YA149-7	Half Circle Pointed Pick (Blue-Point®)	5-3/8			•



• Read safety precautions on pages W1 to W4

PRYBARS



PPN300

Prying/Smoothing Tools

7" Narrow Prying/Smoothing Tool

- Intended for spreading/smoothing epoxy, adhesives and silicone uniformly
- Other uses include: cleaning small parts, removing/installing O-rings and gaskets, prying dashboard parts and vents and prying apart electronic key fobs to access the battery for replacement
- Strong glass-reinforced nylon offers the rare combination of flexibility and strength
- While the non-marring composite material will not scratch soft metals, painted surfaces or other composite material, do not use this tool on glass, laminates or acrylic material

Set Contains: PPN300

Stock No.	Length, inches	Tip Style	
PPN1030	7	Narrow	•
PPN2040	7	Medium	•
PPN4050	7	Wide	•



MPBS12A



MPBS36A



MPBS24A

Striking Prybars/Straight Edge

12" Straight Striking Prybar

- Manufactured from special alloy steel, precision forge and heat treated for optimum strength and durability
- High leverage design with smooth radius head provides maximum leverage while lifting and pulling back
- Straight tip design for maximum leverage in tight spaces
- Durable, ergonomic handle features a tapered design for comfortable grip and withstands extreme work environments
- Blade extends through the handle and contacts the metal end-cap to provide a continuous, solid, striking force
- Flared end of handle offers protection from off-center handle strikes

Set Contains: MPBS12A

Stock No.	Square Shank, inches	Tip Width, inches	Length, inches	
MPBS12A	3/8	5/8	12	•
MPBS24A	7/16	13/16	24	•
MPBS36A	5/8	1-1/8	36-5/8	•

Striking Crown Handle Prybars

- Durable crown handle offers protection from off center hammer strikes
- Handle is 10-3/8" long for a comfortable, secure grip (long handle ensures that two hands can fit for high leverage applications)
- Cylindrical design with taper allows user to find a comfortable grip regardless of hand size
- 3/4" square bar manufactured from special alloy steel, precision forged and heat treated for optimum strength and durability
- High leverage flared tip (1-1/8") with precision ground edge
- Handle resists extreme temperatures



SPBH48R

Stock No.	Handle Color	Bar Stock Size, inches	Tip Width, inches	Length with Handle, inches
SPBH30R	Red	3/4	1-1/8	30
SPBH30G	Green	3/4	1-1/8	30
SPBH30O	Orange	3/4	1-1/8	30
SPBH48R	Red	3/4	1-1/8	48
SPBH48G	Green	3/4	1-1/8	48
SPBH48O	Orange	3/4	1-1/8	48
SPBH54R	Red	3/4	1-1/8	54
SPBH54G	Green	3/4	1-1/8	54
SPBH54O	Orange	3/4	1-1/8	54

Striking Prybars

- Ergonomic shape and contour handle matched to blade length for optimum leverage
- Blade extends through handle and makes contact with end cap to provide solid striking force
- Metal end cap allows hammer striking while reducing chance of damage to handle
- High leverage design with smooth radius head provides maximum leverage when lifting and pulling back
- Blade manufactured from special alloy steel, precision forged and heat treated for strength and durability
- Industrial finish to protect against corrosion



SPBS704AR

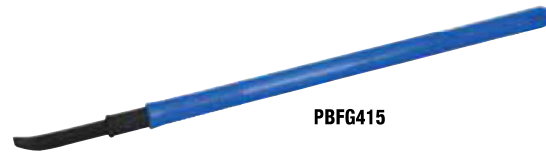
Set Contains:

Black	Red	Orange	Green	Square Shank, inches	Tip Width, inches	Length, inches	Black	Red	Orange	Green
SPBS8A	SPBS8AR	SPBS8AO	SPBS8AG	1/4	7/16	8	•	•	•	•
SPBS12A	SPBS12AR	SPBS12AO	SPBS12AG	3/8	5/8	12	•	•	•	•
SPBS18A	SPBS18AR	SPBS18AO	SPBS18AG	7/16	23/32	18	•	•	•	•
SPBS24A	SPBS24AR	SPBS24AO	SPBS24AG	7/16	13/16	24	•	•	•	•
SPBS36A	SPBS36AR	SPBS36AO	SPBS36AG	5/8	1-1/8	36-5/8				

Fiberglass Prybar

PBFG415 Fiberglass Prybar (Blue-Point®)

- Drop forged rust-resistant, hardened steel wedge end is chemically bonded to fiberglass handle
- 50,000 strands of fiberglass are sleeved by a polypropylene jacket for comfort and variable hand placement during use
- About one-half the weight of a steel prybar of the same length and less flexible than a steel prybar for greater leverage
- Polypropylene sleeve is resistant to heat and cold for greater comfort in all temperatures



Stock No.	Description	Length, inches
PBFG415	Fiberglass Prybar (Blue-Point®)	41.5

Demolition Chisels/Striking Crown Handle

- Exclusive crown handle offers protection from off center hammer strikes
- Handle provides a comfortable secure grip in a variety of environments
- Engineered composite handle offers excellent temperature resistance and bar retention



Stock No.	Handle Color	Hex Shank, inches	Tip Width, inches	Length, inches
SPDC18G	Green	3/4	1-1/8 Double Edge	18
SPDC18O	Orange	3/4	1-1/8 Double Edge	18
SPDC18R	Red	3/4	1-1/8 Double Edge	18

Striking Prybar — 40° Offset Blade

MPBS1140AO 40° Brake Tool Prybar

- Strong 3/8" square alloy steel bar with straight tip
- 11" total length with 40° offset ensures access into tight wheel wells
- Durable, ergonomic handle features a tapered design for comfortable grip and withstands extreme work environments
- Ideal for general prybar applications



Stock No.	Handle Length, inches	Exposed Bar Length, inches	Square Shank, inches	Tip Width, inches	Tip Type
MPBS1140AO	5-1/2	5-1/2	3/8	3/8	Straight

Multi Position Prybars

- Each prybar features 17 incremental angles of 15° to provide great flexibility
- High leverage design with smooth radius head provides maximum leverage when lifting
- Manufactured from special alloy steel, precision forged and heat treated for strength and durability
- Industrial finish helps protect against corrosion

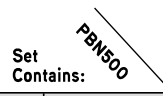


Stock No.	Length, inches	Tip Width, inches		Repair Kit	Repair Kit	Repair Kit
PBMP8A	8	1/2	•	•		
PBMP12A	12	5/8	•		•	
PBMP16A	16	5/8	•		•	
PBMP24A	24	1				•
PBMP36A	36	1				•



Non-Marring Prybars

- Made from tough, reinforced nylon
- Ideal for removing clips, fasteners, molding or gaskets from interior/exterior applications
- Will not damage delicate surfaces unlike metal removal tools
- Lightweight and resistant to most automotive fluids
- Block end allows use with hammer



Stock No.	Length, inches	Tip Width, inches	Tip Style	
PBN1	6-3/4	5/8	Narrow Wedge	•
PBN2	6-3/4	15/16	Wide Wedge	•
PBN3	6-3/4	7/8	Narrow Fork	•
PBN5	6-3/4	1-3/16	Wide Fork	•
PBN7	6-3/4	1-3/8	Flat Fork	•
PBN15	6-3/4	1-1/4	90°	



• Read safety precautions on pages W1 to W4

PRYBARS



PBHC48



PBHG48



NPB124B



PBS704



3260B



7030A



1412A



BLPPB704

Heavy Duty Prybars

- Bars feature a rubber grip that eliminates contact with rust and damaged surfaces, provides a secure gripping surface under a wide range of conditions and protects the bar from damage during transit
- Grip offers a non slip surface that provides a secure gripping surface/leverage, when hands are wet, sweaty or oil covered

Stock No.	Tip Style	Weight, lb	Radius Curves, inches	Length, inches	Diameter, Inches
PBHG48	1-1/2" Offset Chisel, 2-1/4" Offset Claw	9.5	5-1/8	48	1" Hex
PBHC48	1-1/8" Straight Chisel, 2" Offset Chisel	11.25	—	48	1" Hex
PBHC60	1-1/8" Straight Chisel, 2" Offset Chisel	14.25	—	60	1" Hex

PBHC1 - 48" Replaceable rubber grip.

Wrecking Bars

- Slotted claw on "gooseneck" end and a chisel configuration on opposite end

Stock No.	Stock, inches	Length, inches
NPB124B	3/4	24

Prybars

- Rolling head acts as fulcrum and provides leverage
- Pointed end is useful in many aligning applications

Set Contains: PBS704

Stock No.	Stock, inches	Length, inches	
1250	7/16	12	•
1650	9/16	16	•
2050	11/16	20	•
650	5/16	6	•

Slate Bar

Stock No.	Stock, inches	Edge, inches	Length, inches
3260B	1	1/2	60

Close Quarters Bars

- Powerful leverage where space is at a premium
- Ideal for aligning molds

Stock No.	Stock, inches	Tip Width, inches	Length, inches
7030A	3/8	7/16	9
7031A	1/2	9/16	16
7032	5/8	3/4	18

Pinch Bars

- Pinch bar has a tapered point on one end and a chisel type edge on the other

Stock No.	Edge, inches	Length, inches	Stock, inches
1412A	5/8	14	1/2
1658C	5/8	16	1/2
2420A	15/16	20	3/4
2430C	5/8	30	3/4
2438C	7/8	38	3/4
2842C	1	42	7/8

BLPPB704 4 pc Pinch Bar Prybar Set (14-20") (Blue-Point®)

- Includes 1412A (14") and 2420A (20") Pinch Bars, 7031A Close Quarter Bar (16") plus BPPC1878 Flat Chisel (18")

Utility Bars

UB222PK Miniature 5 3/8" Utility Prybar Set (10-pack) (Blue-Point®)

- 5-3/8" length
- Pack of 10

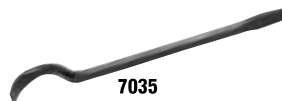
Die Setter Bars

- Designed for separating, scraping or prying

Stock No.	Stock, inches	Tip Width, inches	Length, inches
7035	5/8	7/16	18
7037	3/4	9/16	30



UB222PK



7035

Prybar Rack

KR294AAPV Hang-On Prybar Rack

- Hang up to four prybars or long tools with handles
- Notched angle plate keeps tools from shifting
- Suspend from roll cab or tool chest with 1/4" or more lip



KR294AAPV