



Spillage decking elements DENIOS classic-line, with an especially low height of 78 mm

For protecting larger areas, simple to combine. For legally-compliant storage and safety when dispensing and filling.

- Easy to load with optional access ramps
- Welded design - safe and long lasting
- Galvanised for optimum corrosion protection
- Low height
- Approved for storing flammable liquids (H224-226) and substances in all water-polluting classes
- Sealing test with material certificate

i Spillage decking elements DENIOS classic-line - make existing rooms into legally-compliant hazardous materials stores.

Stackable shelving

From page
106

Drum pumps

See page
292



Height: 78 mm

classic-line

by DENIOS

	Spillage decking elements DENIOS classic-line, with an especially low height of 78 mm				
Sump capacity [l]	132	181	248	278	381
External dimensions W x D [mm]	1362 x 1362	1862 x 1362	1862 x 1862	2862 x 1362	2862 x 1862
Load capacity [kg/m ²]	5000	5000	5000	5000	5000
Order number* Wheel load: 450 kg	115-128-J9	115-130-J9	168-966-J9	115-132-J9	115-134-J9
Price / Item(s)	£ 459.00	£ 585.00	£ 869.00	£ 778.00	£ 1,267.00
Order number* Wheel load: 2000 kg	120-233-J9	120-234-J9	195-305-J9	120-235-J9	120-236-J9
Price / Item(s)	£ 655.00	£ 976.00	£ 1,119.00	£ 1,363.00	£ 1,998.00

*Ground element 200 x 200 mm



All sumps are fully compliant with HSE legislation and environmental pollution prevention guidelines

DENIOS warranty

5 years

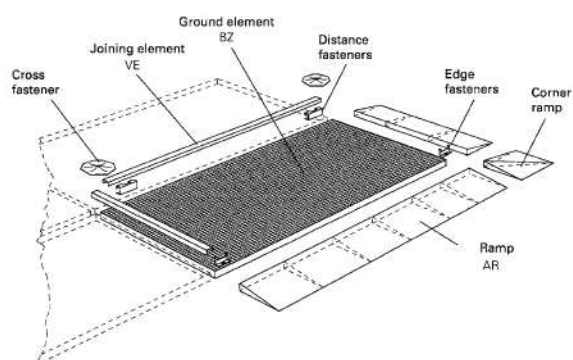
Steel banded spill flooring for covering large areas

1



from
£ 459.00

i Special dimensions and designs in stainless steel are available on request.



ORDER ACCESSORIES AT THE SAME TIME

Joining elements	VE 14	VE 19	VE 29	
External dimensions W x D [mm]	1320 x 45	1820 x 45	2820 x 45	
Order number	115-158-J9	115-159-J9	115-160-J9	
Price / Item(s)	£ 24.00	£ 33.50	£ 45.00	
Access ramps	AR 14	AR 19	AR 29	CORNER ramp
External dimensions W x D [mm]	1320 x 720	1820 x 720	2 x 720	730 x 730
Order number	115-164-J9	115-165-J9	115-166-J9	115-171-J9
Price / Item(s)	£ 283.00	£ 368.00	£ 528.00	£ 169.00
Securing elements	Distance fastener	Edge fastener	Cross joiner	
External dimensions W x D [mm]	25 x 120	20 x 80	130 x 130	
Order number	115-169-J9	115-170-J9	115-167-J9	
Price / Item(s)	£ 25.50	£ 25.50	£ 42.50	



Spillage decking elements DENIOS classic-line, with an especially low height of 123 mm

For protecting larger areas, simple to combine. For legally-compliant storage and safety when dispensing and filling.

- Easy to load with optional access ramps
- Welded design - safe and long lasting
- Galvanised for optimum corrosion protection
- Approved for storing flammable liquids (H224-226) and substances in all water-polluting classes
- Sealing test with material certificate



from
£ 165.00

classic-line by DENIOS

	Spillage decking elements DENIOS classic-line, with an especially low height of 123 mm					
Sump capacity [l]	28	57	115	230	144	290
Load capacity [kg/m²]	5000	5000	5000	5000	5000	5000
External dimensions W x D [mm]	500 x 500	1000 x 500	1000 x 1000	2000 x 1000	2500 x 500	2500 x 1000
Order number* Wheel load: 450 kg	115-137-J9	115-139-J9	115-141-J9	115-143-J9	115-145-J9	115-147-J9
Price / Item(s)	£ 165.00	£ 215.00	£ 306.00	£ 544.00	£ 364.00	£ 619.00
Order number* Wheel load: 2000 kg	115-149-J9	115-150-J9	115-151-J9	115-152-J9	115-153-J9	115-154-J9
Price / Item(s)	£ 239.00	£ 345.00	£ 526.00	£ 812.00	£ 577.00	£ 1,052.00

*Ground element 200 x 200 mm



All sumps are fully compliant with HSE legislation and environmental pollution prevention guidelines

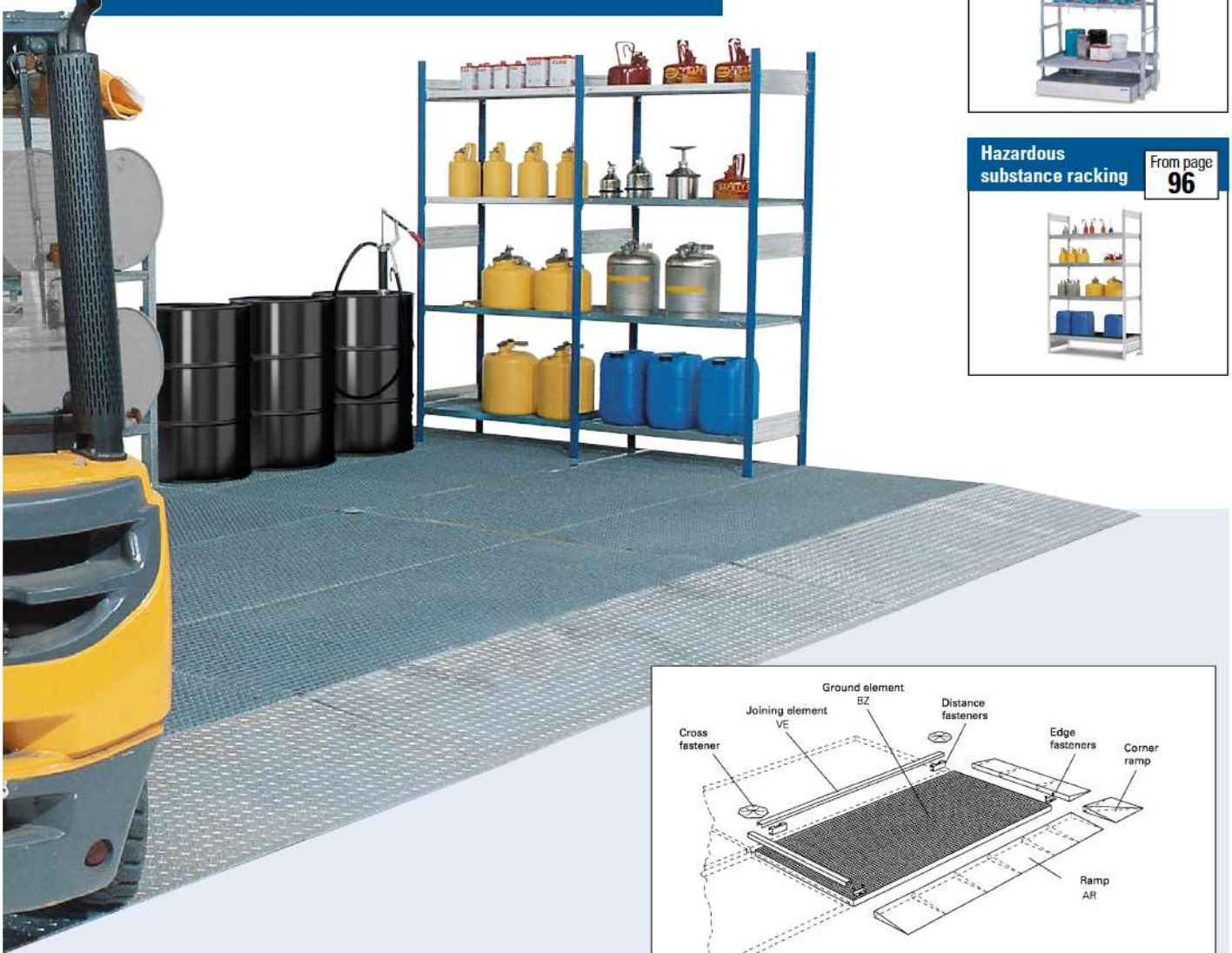
DENIOS warranty

5 years

Steel banded spill flooring for covering large areas

1

i Spillage decking elements DENIOS classic-line - make existing rooms into legally-compliant hazardous materials stores.



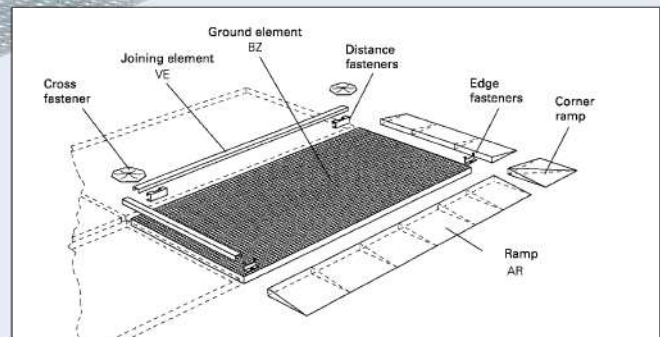
Stackable shelving

From page 106



Hazardous substance racking

From page 96



i



Special dimensions and designs in stainless steel are available on request.

ORDER ACCESSORIES AT THE SAME TIME

Joining elements	VE 5	VE 10	VE 20	VE 25
External dimensions W x D [mm]	470 x 45	970 x 45	1970 x 45	2470 x 45
Order number	115-172-J9	115-173-J9	115-174-J9	115-175-J9
Price / Item(s)	£ 22.50	£ 32.00	£ 38.00	£ 45.00
Access ramps	AR 5	AR 10	AR 20	AR 25
External dimensions W x D [mm]	450 x 1120	950 x 1120	1950 x 1120	2450 x 1120
Order number	115-176-J9	115-177-J9	115-178-J9	115-179-J9
Price / Item(s)	£ 189.00	£ 289.00	£ 535.00	£ 577.00
Securing elements	Distance fastener	Edge fastener	Cross joiner	CORNER ramp
External dimensions W x D [mm]	25 x 120	20 x 80	130 x 130	1140 x 1140
Order number	115-182-J9	115-183-J9	115-167-J9	115-181-J9
Price / Item(s)	£ 25.50	£ 25.50	£ 42.50	£ 298.00



CORNER ramp

£ 298.00

Order no. 115-181-J9



Cross joiner

£ 42.50

Order no. 115-167-J9