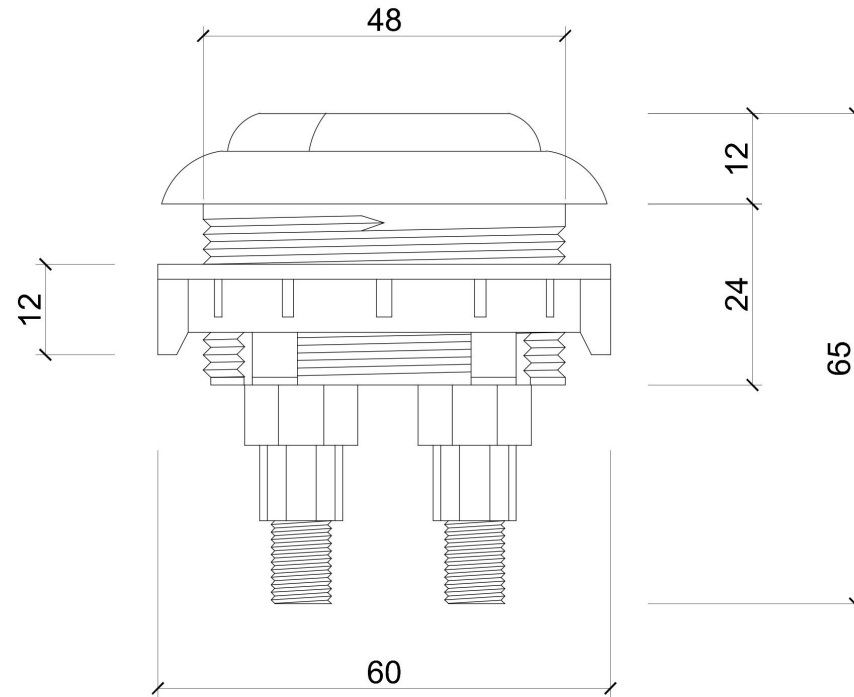
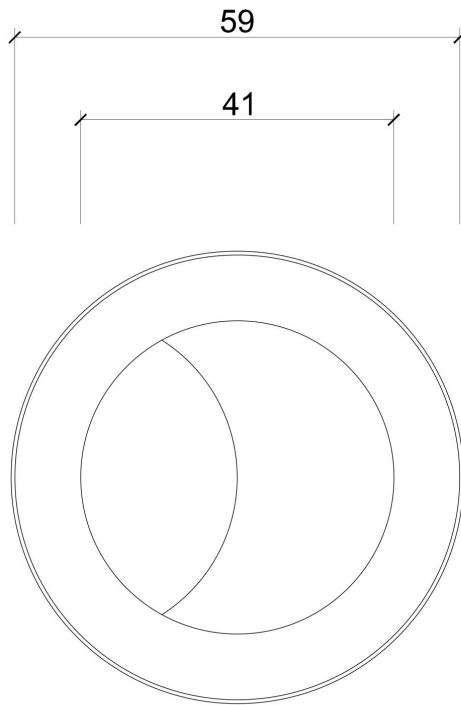


# PRODUCT TECHNICAL DATA SHEET



**Note:**

- ALL DIMENSIONAL TOLERANCE  $\pm 5\%$
- WEIGHT TOLERANCE  $\pm 5\%$

Manufacturer may change product dimensions without prior notice. For confirmation, please refer to Weserhoch Sdn Bhd

<i>Part Name</i>			<i>Rev No.</i>	<i>Date</i>	<i>Weight</i>
<b>CHROMED PRESS BUTTON</b>			A	15-8-2014	50g
			<i>Part No.</i> <i>Dwg No.</i>		
<b>PB200Y (48mm)</b>			1:1	A4	1/2
			<i>Designed By</i>	<i>Checked By</i>	<i>Approved By</i>
KK KWANG	YS ONG	TW TEE			