

## Soho Series



Green  
Power



Environmental  
Friendly



Energy  
Saving



## Inverex Series

Modified Sinewave Inverter



- User Friendly LED Indicator
- Tower/Rack Design
- Compact Size for Convenient Use and Storage
- High Frequency Inverter Design
- Selectable Wide Input Voltage Range
- Re-settable Input Circuit Breaker
- Power Off Mode Charging
- Fully Automated and Silent Operation
- Built-in Amp Super Charger & Force Air Ventilation Fan



• Universal •  
Socket

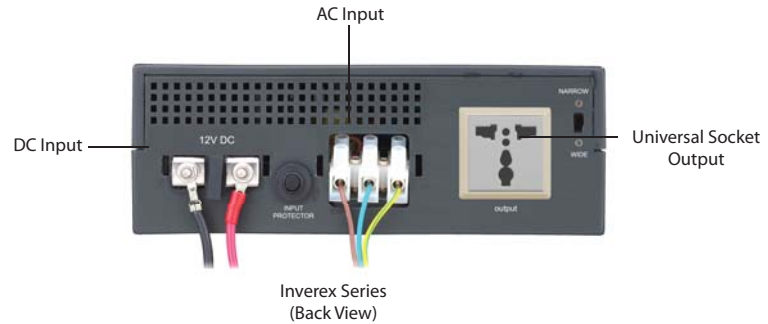


• 2 Years •  
Warranty

# Soho Series



The Power Of Continuity



## Technical Specification:

MODEL	Inverex 750	Inverex 1000
CAPACITY (VA)	750VA	1000VA
<b>INPUT</b>		
NOMINAL	230V	
RANGE	User Selectable 170-280VAC (Narrow Range), 90-240VAC (Wide Range)	
FREQUENCY	50Hz or 60Hz (Auto Detection)	
<b>OUTPUT</b>		
NOMINAL	230VAC	
REGULATION (Batt. Mode)	+10% / -18%	
FREQUENCY (Batt. Mode)	50 or 60Hz ±0.1Hz	
CURRENT	3.26A	4.35A
WAVEFORM	Simulated Sinewave	
OUTPUT SOCKET	1 x Universal Socket	
<b>BATTERY</b>		
VOLTAGE	12Vdc	
CHARGER VOLTAGE / CURRENT	13.7V / 8A max	
OVERCHARGING PROTECTION VOLTAGE	14.5V	
<b>STATUS INDICATION</b>		
LED INDICATOR	Indication for Normal Operation, Battery Mode and Fault	
AUDIBLE ALARM	Battery Low, Overload, Fault	
<b>EFFICIENCY</b>		
DC to DC	> 80%	
<b>SURGE PROTECTION &amp; FILTERING</b>		
SPIKE & SURGE PROTECTION	Yes	
OVERLOAD, SHORT CIRCUIT PROTECTION	Yes	
INPUT MAIN	Yes	
<b>PHYSICAL</b>		
OPERATING ENVIRONMENT	0-40°C, 0 - 90% Relative Humidity (Non-Condensing)	
NOISE LEVEL	< 45dB @ 1 Meter	
DIMENSION (DxWxH)mm	224 x 255 x 80	
WEIGHT (KG) UPS	1.7	1.9

\*Specification subjects to change without prior notice

## GUIDELINE FOR ESTIMATED BACKUP TIME CONFIGURATION

POWER RATING	MODELS	SLA BATTERY RATING (AH)	QTY	ESTIMATED BACK UP TIME		
				150W	300W	600W
750VA / 300W	Inverex 750	12V 26AH	1	1 Hour	20 minutes	-
		12V 40AH	1	1.5 Hours	35 minutes	-
		12V 65AH	1	3 Hours	1.2 Hours	-
		12V 100AH	1	5.5 Hours	2 Hours	-
		12V 120AH	1	6.5 Hours	2.2 Hours	-
1000VA / 600W	Inverex 1000	12V 26AH	1	1 Hour	20 minutes	12 minutes
		12V 40AH	1	1.5 Hours	35 minutes	20 minutes
		12V 65AH	1	3.0 Hours	1.2 Hours	40 minutes
		12V 100AH	1	5.5 Hours	2 Hours	1 Hour
		12V 120AH	1	6.5 Hours	2.2 Hours	1.2 Hours