

- Share your Internet connection
- Works with DSL/Cable Modems



WIRELESS 150 ROUTER

TOTAL COMPATIBILITY

Works with any Wi-Fi certified device, giving you peace of mind and performance



TOTAL SECURITY

Complete set of security features including an SPI firewall and WPA2 to protect your network against intruders



EASY CONFIGURATION

Quick Router Setup Wizard and Wi-Fi Protected Setup™ (WPS) for automatic configuration and easy addition of new devices



HIGH-SPEED WIRELESS NETWORKING

Create a high-speed wireless network for your home using the D-Link Wireless 150 Router. Connect the DIR-600 to a broadband modem and wirelessly share your high-speed Internet connection and enjoy surfing the web, checking e-mail, and chatting with family and friends online. The router uses Wireless 150 technology, which offers increased speed and range over the 802.11g/b standard¹. It features NAT (Network Address Translation), allowing multiple users to connect to the Internet by sharing a single IP address. The DIR-600 also includes an integrated 4-port 10/100BASE-TX Ethernet switch that gives you the flexibility to connect wired computers to the network.

SECURING YOUR WIRELESS NETWORK

The DIR-600 includes a built-in firewall that safeguards your network from harmful attacks. It minimizes the threats of hackers and prevents intruders from entering your network. Additional security features include a Stateful Packet Inspection (SPI) firewall that analyzes network traffic, and parental control that prevents users from viewing inappropriate content. The DIR-600 also supports WEP, WPA, and WPA2 encryption to keep your network traffic secure.

COMPATIBILITY ASSURANCE

The DIR-600 provides a high speed connection to other Wireless 150 or 802.11n devices and is backward compatible with 802.11b/g, ensuring compatibility with a wide range of wireless devices. The DIR-600 includes four Ethernet ports ready for you to connect Ethernet-enabled PCs, print servers, or other devices.

EASY TO INSTALL AND USE

With D-Link Quick Router Setup Wizard, you can set up your wireless network in minutes. The wizard will guide you through an easy to follow process to install your new hardware, connect to your network and add new devices. It configures your Internet Service Provider (ISP) settings to quickly establish broadband Internet connectivity. In addition, the DIR-600 is Wi-Fi Protected Setup™ (WPS) certified, making it even easier to configure your wireless network and enable security.

WHAT THIS PRODUCT DOES

Share your broadband Internet connection with multiple computers in your house by simply connecting the DIR-600 to your cable or DSL modem. Once connected, you can create your own personal wireless home network to share documents, music, and photos.

EASY INSTALLATION

Set up your new D-Link networking hardware in minutes using our new Quick Setup Wizard. The wizard will guide you through an easy to follow process to install your new hardware and connect to your network.

ADVANCED WIRELESS FUNCTIONS

The D-Link Wireless 150 Router includes everything you need to get a wireless network up and running.

- Wireless 150 and IEEE 802.11b/g compatible
- Advanced Scheduling and User Level Control
- WEP, WPA (TKIP) and WPA2 (AES) support
- UPnP™ Support
- WPS™

SYSTEM REQUIREMENTS

- Cable or DSL modem with Ethernet port
- Computer with:
 - Windows XP SP2 or Windows 2000 SP4 or Mac OS X (v10.4/v10.3) or Linux-based Operating System
 - An installed Ethernet adapter
 - Internet Explorer 6 or Firefox 2.0 or higher

STANDARDS

- IEEE 802.11b
- IEEE 802.11g
- IEEE 802.3
- IEEE 802.3u

WIRELESS FREQUENCY RANGE

- 2.4GHz to 2.4835GHz

ANTENNA

- Detachable Dipole Antenna (Reverse SMA Plug)

SECURITY

- WEP 64/128-Bit Data Encryption
- Wi-Fi Protected Access (WPA/WPA2)

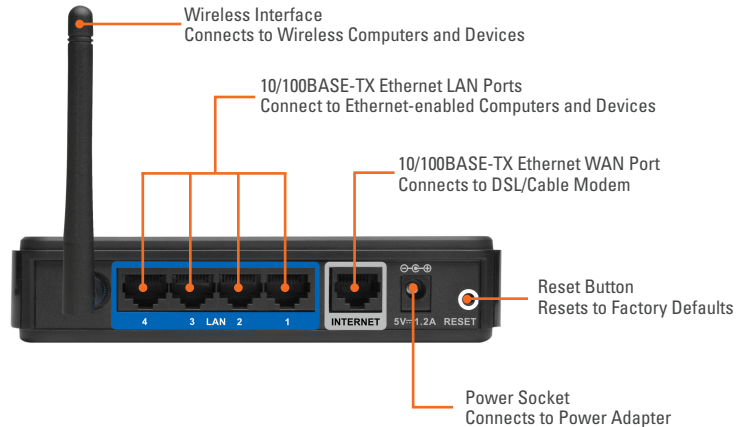
Wireless Interface
Connects to Wireless Computers and Devices

10/100BASE-TX Ethernet LAN Ports
Connect to Ethernet-enabled Computers and Devices

10/100BASE-TX Ethernet WAN Port
Connects to DSL/Cable Modem

Reset Button
Resets to Factory Defaults

Power Socket
Connects to Power Adapter



TECHNICAL SPECIFICATIONS

ADVANCED FIREWALL FEATURES

- Network Address Translation (NAT)
- Stateful Packet Inspection (SPI)
- MAC Address Filtering
- URL Filtering

DEVICE MANAGEMENT

- Internet Explorer 6 or later, or Firefox 2.0 or later

DIAGNOSTIC LED

- Power
- Internet
- WLAN
- LAN

POWER INPUT

- 5VDC/1.2A Through External Power Adapter

DIMENSIONS (L x W x H)

- 113.2 x 147.5 x 31.5 mm (4.4 x 5.8 x 1.2 inches)

WEIGHT

- 246 grams (0.5 lb)

OPERATING TEMPERATURE

- 0° to 40° C (32° to 104° F)

OPERATING HUMIDITY

- 5% - 95% non-condensing

CERTIFICATIONS

- CE
- FCC
- C-Tick

¹Actual data throughput will vary. Network conditions and environmental factors, including volume of network traffic, building materials and construction, and network overhead lower actual data throughput rate and adversely affect the range.

²Product specifications, size and shape are subject to change without notice, and actual product appearance may differ from that depicted on the packaging.



D-Link Corporation

No. 289 Xinhua 3rd Road, Neihu, Taipei 114, Taiwan
Specifications are subject to change without notice.

D-Link is a registered trademark of D-Link Corporation and its overseas subsidiaries. All other trademarks belong to their respective owners.
©2009 D-Link Corporation. All rights reserved.
Release 01 (April 2009)