

KENNEDY HSS Cobalt Toolbits

Cut faster, 'stand up' longer and reduce costs. Square and rectangular toolbits supplied with 15° bevelled ends. Parting-off blades supplied with 2° side taper, 10° bevel (top and bottom).



Rectangular Inch

inch

Table with 6 columns: B x A, L, Weight each, Order Code KEN-090, List Price/1, Offer Price/1. Lists various sizes and weights.

Round Metric

mm

Table with 6 columns: A (mm), L (mm), Weight each, Order Code KEN-090, List Price/1, Offer Price/1. Lists various sizes and weights.

Square Metric

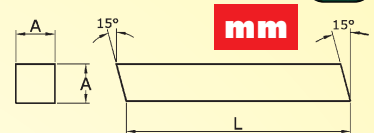


Table with 6 columns: A (mm), L (mm), Weight each, Order Code KEN-090, List Price/1, Offer Price/1. Lists various sizes and weights.

Parting-Off Inch

inch

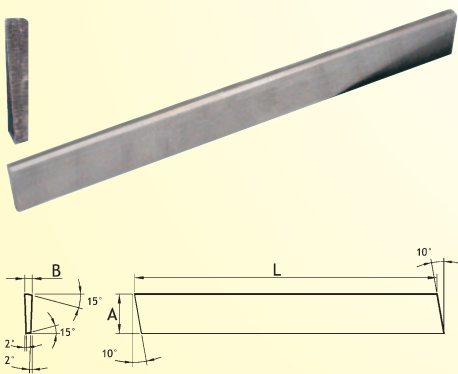


Table with 6 columns: B x A, L, Weight each, Order Code KEN-090, List Price/1, Offer Price/1. Lists various sizes and weights.

Round Inch

inch

Table with 6 columns: A, L, Weight each, Order Code KEN-090, List Price/1, Offer Price/1. Lists various sizes and weights.

Square Inch

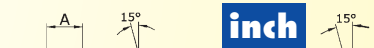
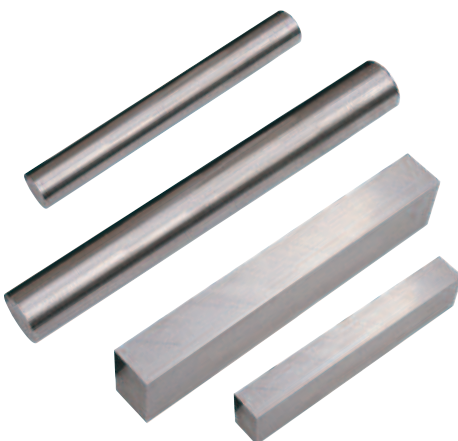


Table with 6 columns: A, L, Weight each, Order Code KEN-090, List Price/1, Offer Price/1. Lists various sizes and weights.

HSS Toolbits

Cut faster, 'stand up' longer and reduce costs. Square toolbits supplied with 15° bevelled ends.



Round Inch

inch

Table with 6 columns: A, L, Weight each, Order Code KEN-090, List Price/1, Offer Price/1. Lists various sizes and weights.

Square Inch

inch HSS

Table with 6 columns: A, L, Weight each, Order Code KEN-090, List Price/1, Offer Price/1. Lists various sizes and weights.

CONTRACT PRICES AVAILABLE FOR VOLUME PURCHASES

CUTTING TOOLS